



## Access60™ - M6078-20-2

C37.94 Teleprotection interface module



- 2 C37.94 optical interfaces
- C37.94 integration into Access60 multiplexer
- Direct optical connection between multiplexer and teleprotection equipment
- Supports from 64Kbps to 768Kbps data rates per channel
- 2.048 Mbps optical line rate

The Access60 Integrated Access Device (IAD) from Telco Systems® is specifically designed to help service providers deploy a full range of services – such as Plain Old Telephone Service (POTS), fractional T1, legacy data applications.

This IAD supports the transport of voice, data, image and video, and offers an inexpensive, modular migration path to emerging technologies, applications and carrier services.

The Access60 provides capacity for up to ten T1 or eight E1 trunks and up to 120 POTS lines. This IAD device offers 12 user application module slots and redundant AC or DC power as well as redundant configuration, management and

maintenance (CMM) module support.

### C37.94 Teleprotection interfaces for your existing Access60

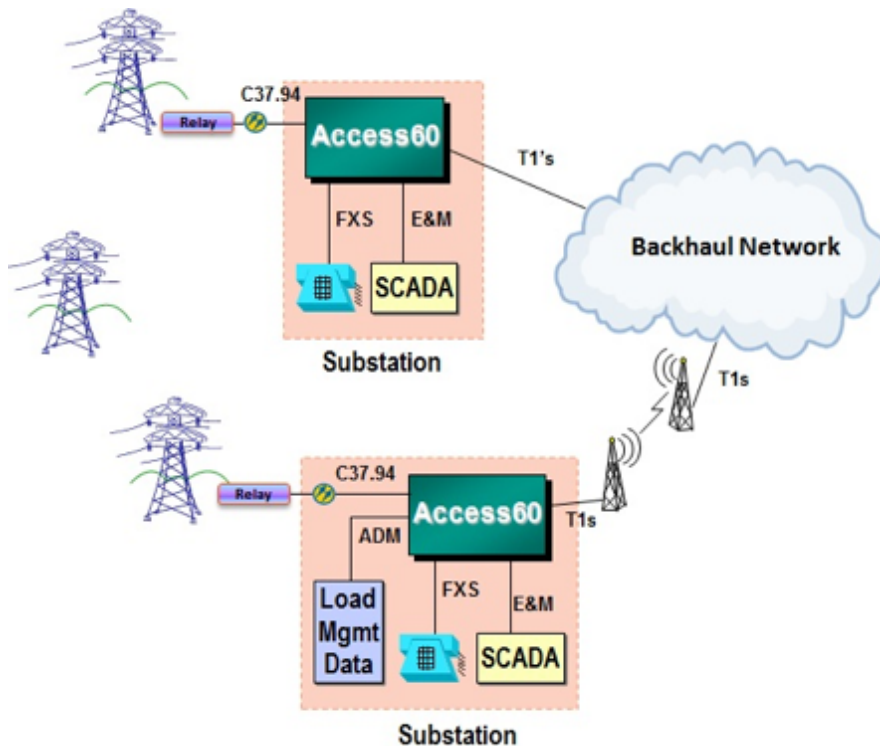
With the addition of the M6078-20-2 module, the Access60 now supports IEEE C37.94 compliant interfaces, allowing relay equipment with C37.94 interfaces to be connected directly to the Access60 and eliminating the need for additional equipment such as a media converter.

The M6078-20-2 module supports 2 x C37.94 interface ports, where each port supports N x 64 kbps (where N = 1 to 12) channels over a 2.048Mbps optical fiber interface. The 64Kbps channels can be groomed with other voice and data services onto any T1 or E1 trunk.



# Access60™ - M6078-20-2

C37.94 Teleprotection interface module



## Access60 Ordering Information

Part Number	Description
M6000-04-3	Access60 5RU Chassis (includes 621-0014 rack mount kit)
M6013-20-3P	T1 Dual LIU/DSX w/Cross-Connect (includes 820-DS12-P2-036 net. Int. Cbl)
M6013-21-3P	T1 Dual LIU with Integral CSU and Cross-Connect (inc 820-DS12-P2-036 Net Int Cbl)
M6015-22-3	Dual E1 LIU
M6024-00-3	Access60 5RU CMM for M6000-04-3 Chassis
M6025-10-4P	Access60 5RU CMM w/10-BaseT Ethernet for M6000-04-3 & M6000-0-3 Chassis
M6041-60-3	6-Port 2- or 4-Wire E&M/T0 with Extended Range
M6043-60-3	6-Port FXS TR Std
M6045-60-2	6-Port 2-Wire FXO/MRD/DPT
M6070-50-2	5-port DSO-DP
M60-71-50-2	5-port Synchronous Substrate Digital Multiplexer (SRDM)
M6073-60-2	6-port Substrate Asynchronous Digital Multiplexer (ADM)
M6074-50-3	5-Port Office Channel Unit - Data Port (OCU-DP) (TR Std)
M6077-40-2P	4-port Univ. Synchronous Data (USD) Module w/Adapters
M6078-20-2	2-port C37.94 Teleprotection Module
M6096-15-4	110-265 Vac, 50/60 Hz PSU/RG for 5RU Chassis
M6097-10-7	-48VDC SGL WIDE PS W/RG/PSBITE

## M6078-20-2 Specifications

### M6078-20-2 Interfaces

- 2 C37.94 ports per module
- Each port configurable to use 1 to 12 64Kbps channels
- 2.048Mbps optical line rate
- Wavelength 850 nm
- Fiber Type 62.5/125 µm multimode
- Distance 2km
- Receiver Sensitivity -32dbm
- Max. Receiver Input Power -11dbm

### LED Indications

- **ACT** – lights when Laser is on
- **LOS** – lights on loss of signal
- **LOF** – lights on loss of frame
- **REM** – Remote and alarm indication
- **LB-L** – lights on local loop
- **LB-R** – lights on remote loop
- **FAIL** - Lights on com failure to CMM
- **STBDY** - lights if no DSOs are assigned
- **TEST** - Lights when diag. tests in progress

### Other Access60 Module Interfaces

#### T1/E1 Interfaces

- Up to 10 ports per chassis, Dual T1 or Dual E1 LIUs

#### Analog Voice Interfaces

- 2/4 wire E&M/T0 - 6 port
- 2 wire FXS/PLAR/FXSDN - 6 port
- 2 wire FXO/MRD/DPT - 6 port

#### Data Interfaces

- Sync Substrate Digital Mux - 5 port
- Office Channel Unit(OCU-DP) - 5 port
- Digital Signal Zero (DSO-DP) – 5 port
- Universal Synchronous Data – 4 port
- Async Substrate Data- 6 port

### Access60 Continued

#### Management

- Embedded SNMP
- ACSII Terminal
- Telnet
- Remote Alarm reporting
- Built-in Modem

#### General

- Dimensions 8.75" x 17.5" x 12" (HxWxD)
- 22.2cm x 44.5cm x 30.5cm
- Power Supply -48VDC, w/RG
- 110/220 VAC, w/RG
- Operating Temp: 32°F - 122°F
- (0°C - 50°C)
- Rel. Humidity up to 90%, non-condensing



### US Headquarters

Tel: +1-800-221-2849, [cserve@telco.com](mailto:cserve@telco.com), <http://www.telco.com>

©2013 Telco Systems a BATM Company. All rights reserved. All trademarks are property of their respective owners. Specifications are subject to change without notice.