

DPX-23x

AWS/2300-2700 MHz | Diplexer | Single and Dual Units | Indoor / Outdoor

- Usable at the BTS end or at the antenna end
- Built in lightning protection on all ports
- Available as single or dual unit, various DC/AISG bypass arrangements
- Suitable for indoor and outdoor applications
- Wall or mast mounting



Ordering Options	Single Unit				Twin Unit			
	7/16-DIN Female Connectors	N Female Connectors	4.3/10 Female Connectors	7/16-DIN Female [Band] N Female [Common]	7/16-DIN Female Connectors	N Female Connectors	4.3/10 Female Connectors	7/16-DIN Female [Band] N Female [Common]
When ordering, replace "x" in the model number with one of the options listed below.								
With DC/AISG Auto-Sense	DPX-23A	DPX-23A-NF	DPX-23A-43F	DPX-23A-DFNF	DPX-23AA	DPX-23AA-NF	DPX-23AA-43F	DPX-23AA-DFNF
No DC/AISG bypass	DPX-230	DPX-230-NF	DPX-230-43F	DPX-230-DFNF	DPX-231	DPX-231-NF	DPX-231-43F	DPX-231-DFNF
Full DC/AISG bypass	DPX-232	DPX-232-NF	DPX-232-43F	DPX-232-DFNF	DPX-233	DPX-233-NF	DPX-233-43F	DPX-233-DFNF
DC/AISG bypass high band	DPX-234	DPX-234-NF	DPX-234-43F	DPX-234-DFNF	DPX-235	DPX-235-NF	DPX-235-43F	DPX-235-DFNF
DC/AISG bypass low band	DPX-236	DPX-236-NF	DPX-236-43F	DPX-236-DFNF	DPX-237	DPX-237-NF	DPX-237-43F	DPX-237-DFNF
Electrical Characteristics								
Low Band								
Frequency Band	1695-2180 MHz							
Insertion Loss (typical)	< 0.2 dB							
Return Loss (typical)	> 18 dB							
Rejection High Band	50 dB							
Continuous Average Power	250 W							
Intermodulation, 2x43 dBm TX Carrier	-117 dBm							
High Band								
Frequency Band	2300-2700 MHz							
Insertion Loss (typical)	< 0.2 dB							
Return Loss (typical)	> 18 dB							
Rejection Low Band (1800/2100)	50 dB							
Continuous Average Power	250 W							
Intermodulation, 2x43 dBm TX Carrier	-117 dBm							
General Characteristics								
DC Bypass	3 A							
AISG pass	Yes							
Lightning Protection	10 kA 8/20 μ s							
Environmental Characteristics								
Operating Temperature Range	-40° to +60° C (-40° to +140° F)							
Operation	ETS 300 019-1-4 Class 4.1E							
Storage	ETS 300 019-1-1 Class 1.2							
Ingress Protection	IP67							

Quoted performance parameters are provided to offer typical, peak or range values only and may vary as a result of normal testing, manufacturing and operational conditions. Extreme operational conditions and/or stress on structural supports is beyond our control. Such conditions may result in damage to this product. Improvements to products may be made without notice.

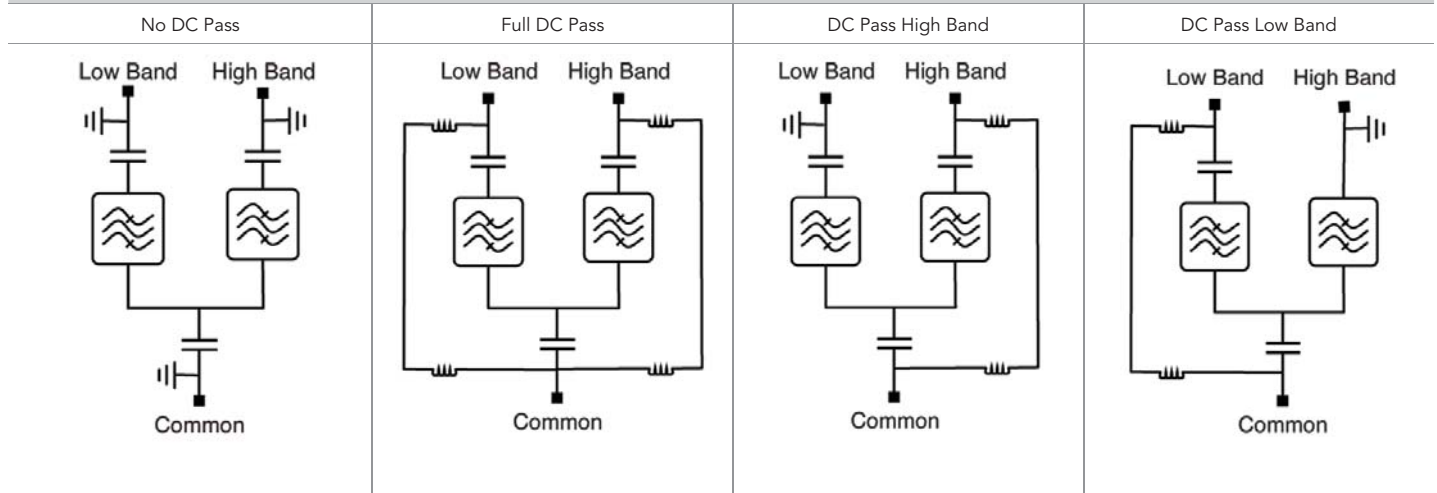
DPX-23x

AWS/2300-2700 MHz | Diplexer | Single and Dual Units | Indoor / Outdoor

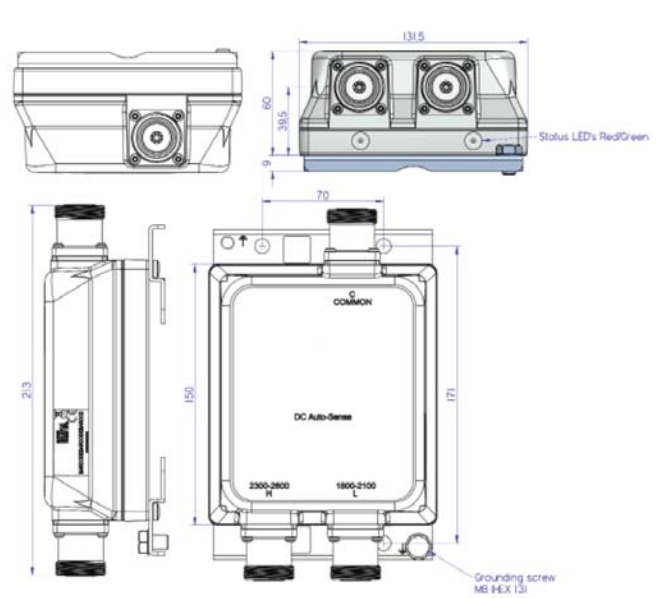
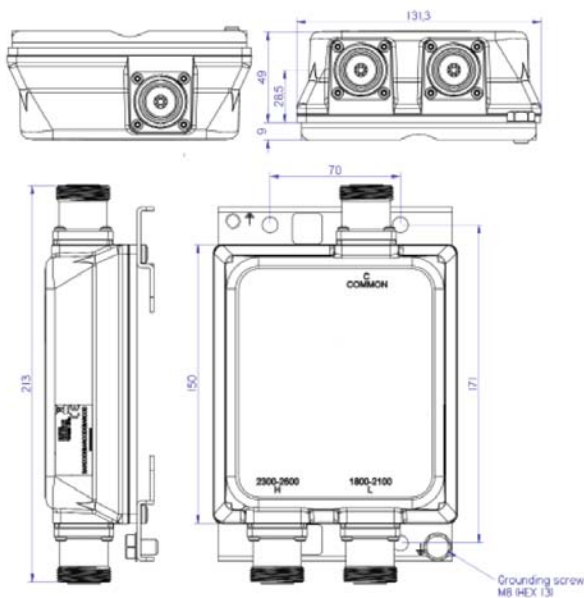
Mechanical Characteristics			
Dimensions - L x W x D (excludes connectors)	Standard	150 x 131 x 49 mm	5.2 x 5.9 x 1.9 in
	with Auto-Sense	150 x 131 x 60 mm	5.2 x 5.9 x 2.4 in
Gross Weight	Standard	1.8 kg	4.0 lbs
	with Auto-Sense	1.9 kg	4.2 lbs
Connectors - Single Unit (number, type)	3 Connectors / See Ordering Options for configurations		
Color	NCS 1502-R, Grey		
Mounting	Hose clamps or wall mount (unit is supplied with two metal clamps)		

Dual unit is mounted on a single bracket for hose clamp or wall mount.

Block Diagram



Dimensions - Standard Models (DPX-230 shown) | Dimensions - Auto-Sense Models (DPX-23A shown)



Quoted performance parameters are provided to offer typical, peak or range values only and may vary as a result of normal testing, manufacturing and operational conditions. Extreme operational conditions and/or stress on structural supports is beyond our control. Such conditions may result in damage to this product. Improvements to products may be made without notice.