

DPX-24x

Diplexer | 700/850+900 | Single and Twin Units | Indoor / Outdoor

- Combines the 700 and 850+900 bands into a single output
- Usable at the BTS or antenna end
- Built in lightning protection on all ports
- Available as single or twin unit, with various DC/AISG bypass configurations
- Suitable for indoor or outdoor applications
- Pole or wall mounting

| Ordering Options | Single Unit | | Twin Unit | |
|------------------|----------------------------|--------------------------|----------------------------|--------------------------|
| | 7/16-DIN Female Connectors | 4.3-10 Female Connectors | 7/16-DIN Female Connectors | 4.3-10 Female Connectors |

When ordering replace "x" with correct option for bypass configuration and single or twin unit.

| | | | | |
|---|---------|-------------|----------|--------------|
| With DC/AISG Auto-Sense | DPX-24A | DPX-24A-43F | DPX-24AA | DPX-24AA-43F |
| DC/AISG bypass 700 low band | DPX-246 | DPX-246-43F | DPX-247 | DPX-247-43F |
| DC/AISG bypass 850+900 high band | DPX-244 | DPX-244-43F | DPX-245 | DPX-245-43F |
| Full DC/AISG bypass | DPX-242 | DPX-242-43F | DPX-243 | DPX-243-43F |
| No DC/AISG bypass (all ports DC grounded) | DPX-240 | DPX-240-43F | DPX-241 | DPX-241-43F |

Electrical Characteristics

700 Channel (Low Band)

| | |
|--------------------------------------|-------------|
| Frequency Band | 698-806 MHz |
| Insertion Loss (typical) | < 0.35 dB |
| Return Loss | > 18 dB |
| Rejection, 824-960 MHz | > 50 dB |
| Continuous Average Power | 250 W |
| Intermodulation, 2x43 dBm TX Carrier | -117 dBm |

850+900 Channel (High Band)

| | |
|--------------------------------------|-------------|
| Frequency Band | 824-960 MHz |
| Insertion Loss (typical) | < 0.35 dB |
| Return Loss | > 18 dB |
| Rejection, 698-806 MHz | > 50 dB |
| Continuous Average Power | 250 W |
| Intermodulation, 2x43 dBm TX Carrier | -117 dBm |

General

| | |
|------------------|---|
| DC Bypass Rating | 3 A |
| DC/AISG Pass | Yes, ports that do not bypass DC/AISG are DC grounded |

Environmental

| | | |
|----------------------|------------------------------|-----------------|
| Temperature Range | -40° to +65° C | -40° to +149° F |
| Ingress Protection | IP67 | |
| Lightning Protection | 5 kA 8/20 μs | |
| Operation Compliance | ETS 300 019-1-4, Class 4.1 E | |
| Storage Compliance | ETS 300 019-1-1, Class 1.2 | |



Quoted performance parameters are provided to offer typical or range values only and may vary as a result of normal manufacturing and operational conditions. Extreme operational conditions and/or stress on structural supports is beyond our control. Such conditions may result in damage to this product. Improvements to product may be made without notice.

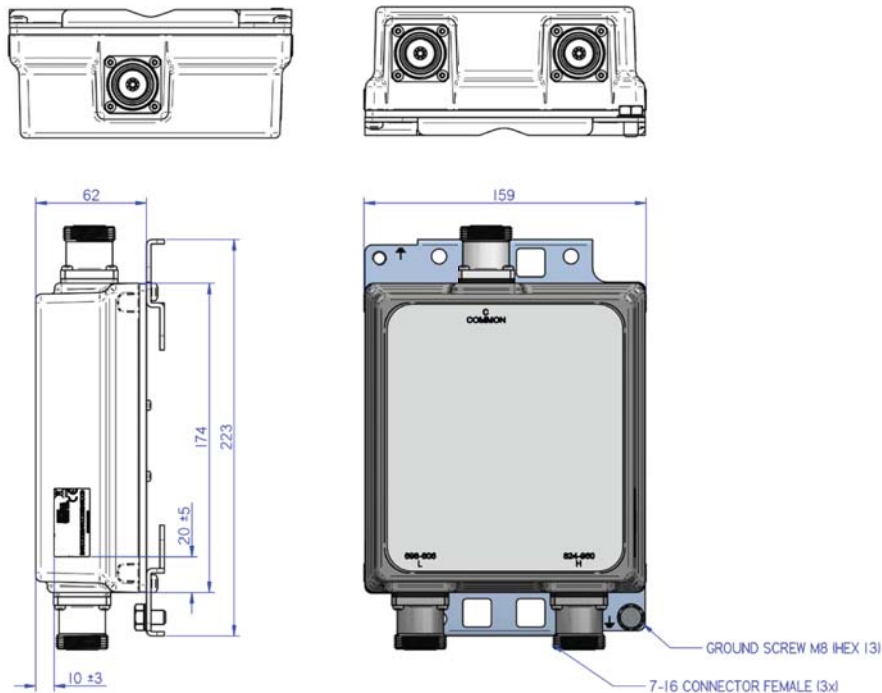
DPX-24x

Diplexer | 700/850+900 | Single and Twin Units | Indoor / Outdoor

| Mechanical Characteristics | Single Unit | Twin Unit |
|----------------------------|--|---|
| Finish | Light Grey, NCS 1502-R | |
| Connectors | 7/16 Female or 4.3-10 Female | |
| Dimensions (H x W x D) | 174 x 159 x 62 mm (7.7 x 6.7 x 3.2 in) | 174 x 159 x 131 mm (7.7 x 6.7 x 5.2 in) |
| Weight | 2.6 kg (5.7 lbs) | 5.0 kg (11.0 lbs) |
| Mounting Options | Description | |
| Pole / Wall Bracket | Two metal clamps for pole mount included | |

| Block Diagrams | | | |
|--|---|---|---|
| <p>DC/AISG Bypass High Band</p> <p>DPX-240 DPX-241</p> | <p>DC/AISG Bypass Low Band</p> <p>DPX-242 DPX-243</p> | <p>Full DC/AISG Bypass</p> <p>DPX-244 DPX-245</p> | <p>No DC/AISG Bypass</p> <p>DPX-246 DPX-247</p> |

Dimensions - Standard Single Unit with 7/16-DIN Connectors

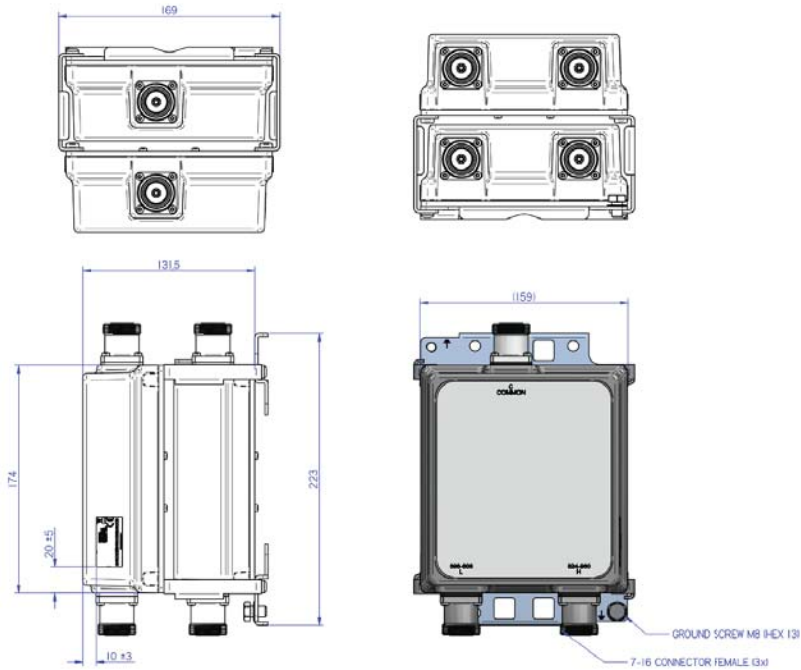


Quoted performance parameters are provided to offer typical or range values only and may vary as a result of normal manufacturing and operational conditions. Extreme operational conditions and/or stress on structural supports is beyond our control. Such conditions may result in damage to this product. Improvements to product may be made without notice.

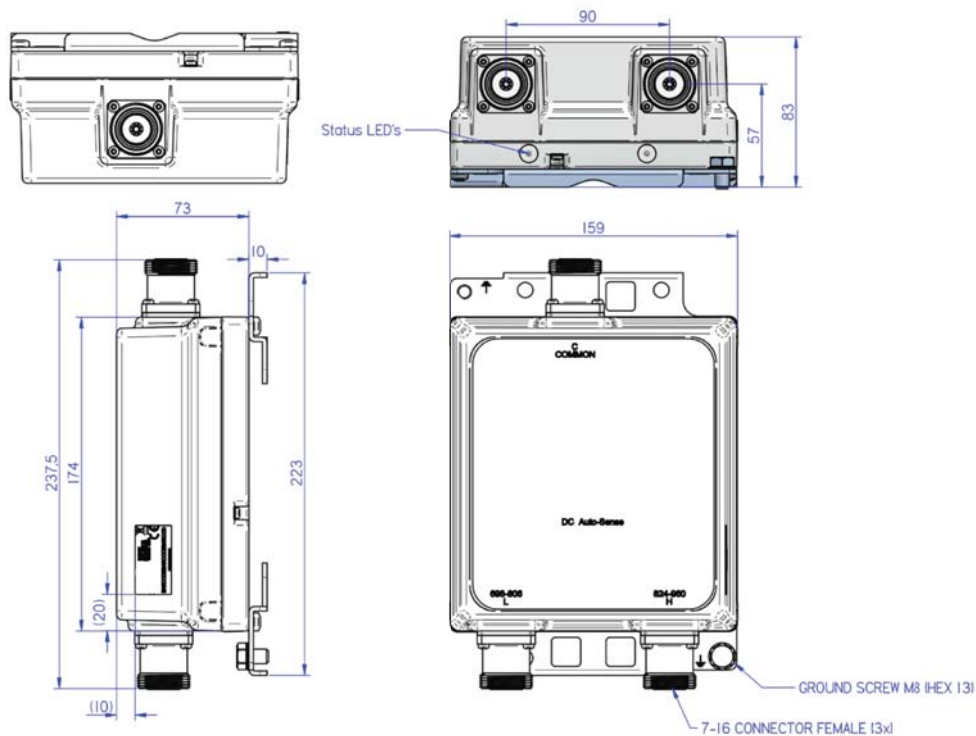
DPX-24x

Diplexer | 700/850+900 | Single and Twin Units | Indoor / Outdoor

Dimensions - Standard Twin Unit with 7/16-DIN Connectors



Dimensions - Single Unit with Auto-Sense and 7/16-DIN Connectors



Quoted performance parameters are provided to offer typical or range values only and may vary as a result of normal manufacturing and operational conditions. Extreme operational conditions and/or stress on structural supports is beyond our control. Such conditions may result in damage to this product. Improvements to product may be made without notice.