

## DPX-25x

Diplexer | 1800/2100+2300 | Single and Twin Units | Indoor / Outdoor

- Usable at the BTS or antenna end
- Built in lightning protection on all ports
- Available as single or twin unit, with Auto-Sense or various DC/AISG bypass configurations
- Suitable for indoor or outdoor applications
- Pole or wall mounting
- Available with 7/16-DIN or 4.3/10 female connectors

**NO  
IMAGE  
AVAILABLE**  
**COMING  
SOON**

Ordering Options	Single Unit		Twin Unit	
	7/16-DIN	4.3/10	7/16-DIN	4.3/10

When ordering replace "x" with correct option for bypass configuration and single or twin unit.

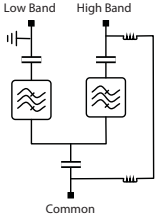
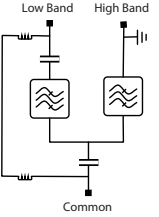
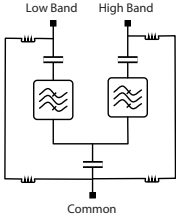
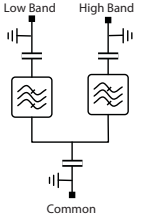
With DC/AISG Auto-Sense	DPX-25A	DPX-25A-43F	DPX-25AA	DPX-25AA-43F
DC/AISG bypass from common to high band only	DPX-252	DPX-252-43F	DPX-253	DPX-253-43F
DC/AISG bypass from common to low band	DPX-250	DPX-250-43F	DPX-251	DPX-251-43F
Full DC/AISG bypass	DPX-254	DPX-254-43F	DPX-255	DPX-255-43F
No DC/AISG bypass	DPX-256	DPX-256-43F	DPX-257	DPX-257-43F

Electrical Characteristics		
<b>1800 Channel (Low Band)</b>		
Frequency Band	1710-1880 MHz	
Insertion Loss (typical)	Receive (Rx)	< 0.15 dB
	Transmit (Tx)	< 0.2 dB
Return Loss	Minimum	18 dB
	Typical	20 dB
Rejection (High Band)	> 50 dB	
Power Handling	Average	250 W
	Peak	2 kW
Intermodulation, 2x43 dBm TX Carrier	-117 dBm	
<b>2100+2300 Channel (High Band)</b>		
Frequency Band	1920-2170 MHz & 2300-2400 MHz	
Insertion Loss (typical)	1920-1980 MHz	< 0.25 dB
	2110-2170 & 2300-2400 MHz	< 0.15 dB
Return Loss	Minimum	18 dB
	Typical	20 dB
Rejection (Low Band)	> 50 dB	
Power Handling	Average	250 W
	Peak	2 kW
Intermodulation, 2x43 dBm TX Carrier	-117 dBm	
<b>General Electrical</b>		
DC Bypass Rating	3 A	
AISG Pass	Yes	
Lightning Protection	3 kA 10/350 μs, 10 kA 8/20 μs	

Quoted performance parameters are provided to offer typical or range values only and may vary as a result of normal manufacturing and operational conditions. Extreme operational conditions and/or stress on structural supports is beyond our control. Such conditions may result in damage to this product. Improvements to product may be made without notice.

## DPX-25x

Diplexer | 1800/2100+2300 | Single and Twin Units | Indoor / Outdoor

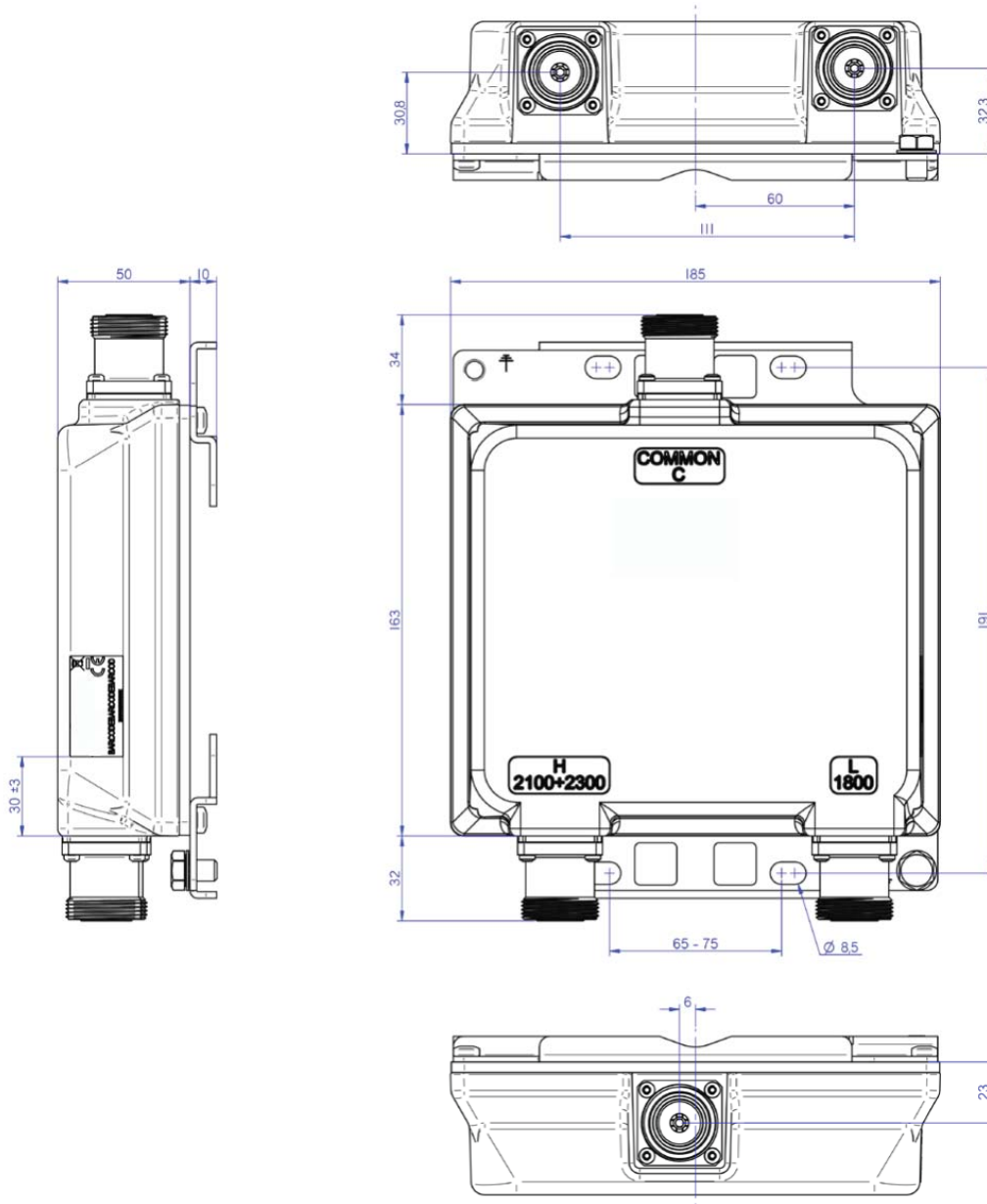
Environmental			
Temperature Range	-40° to +65° C (-40° to 149° F)		
Ingress Protection	IP67		
Operation Compliance	ETS 300 019-1-4 Class 4.1E		
Storage Compliance	ETS 300 019-1-1 Class 1.2		
Mechanical Characteristics			
Finish	Light Grey (NCS 1502-R)		
Connectors	7/16 Female Long Neck or 4.3/10 Female		
Dimensions - Single Unit (H x W x D)	163 x 185 x 50 mm (6.4 x 7.3 x 2.0 in)		
Weight (Single Unit, Including Brackets)	< 2.6 kg (< 5.7 lbs)		
Mounting Options			
	Description		
Pole / Wall Bracket	Two metal clamps for pole mount included		
Block Diagrams			
<p>DC/AISG Bypass High Band</p>  <p>DPX-252 DPX-253</p>	<p>DC/AISG Bypass Low Band</p>  <p>DPX-250 DPX-251</p>	<p>Full DC/AISG Bypass</p>  <p>DPX-254 DPX-255</p>	<p>No DC/AISG Bypass</p>  <p>DPX-256 DPX-257</p>

Quoted performance parameters are provided to offer typical or range values only and may vary as a result of normal manufacturing and operational conditions. Extreme operational conditions and/or stress on structural supports is beyond our control. Such conditions may result in damage to this product. Improvements to product may be made without notice.

DPX-25x

Diplexer | 1800/2100+2300 | Single and Twin Units | Indoor / Outdoor

Dimensions - Single Unit with 7/16-DIN Connectors



Quoted performance parameters are provided to offer typical or range values only and may vary as a result of normal manufacturing and operational conditions. Extreme operational conditions and/or stress on structural supports is beyond our control. Such conditions may result in damage to this product. Improvements to product may be made without notice.