

TTA-GLG0310K

GSM900 & UMTS900 | Active Same Band Combiner | AISG v2.0

- Active Same Band Combiner for GSM900 & UMTS900 systems, AISG v2.0
- Increases coverage and capacity
- Helps to minimize site acquisition issues
- Reduces the cost of network expansion

Ordering Options	Model Number
4,3/10 Female Connectors	TTA-GLG0310K-43F
7/16-DIN Female Connectors	TTA-GLG0310K
RF Characteristics	
Downlink (TX) Path	
Frequency Band	935-960 MHz
Insertion Loss (typical)	0.3 dB
Continuous Average Power (54 dBm)	250 W
Return Loss (typical)	> 20 dB
Intermodulation (2x43 dBm TX carrier, BTS Port)	-116 dBm in RX band, ANT port
System Isolation	> 35 dB
Uplink (RX) Path	
Frequency Band	890-915 MHz
Gain	12 dB (± 0.8 dB)
Noise Figure (typical)	1.4 dB
Insertion Loss, Bypass Mode	5.5 dB, including splitter loss
Return Loss (typical)	> 20 dB
Output IP3 (typical)	22 dBm
Power Supply and Alarm - Current Window Alarm Mode	
DC	9 to 15 V*
Power	80-130 mA
Alarm	170-180 mA
Power Supply and Alarm - AISG Mode	
Control Protocol	3GPP/AISG2.0
DC Supply Voltage	9 to 30 V
Power Consumption	< 2 W
Environmental Characteristics	
Operating Temperature Range	-40° to +65° C (-40° to +149° F)
Operation	ETS 300 019-1-4 Class 4.1E
Storage	ETS 300 019-1-1 Class 1.2
Ingress Protection	IP67
EMC	EN301 489-8
Safety Standards	EN60950
MTBF (minimum)	750,000 hours

* Both main ports need Supply Voltage in CWA mode

**NO
IMAGE
AVAILABLE**

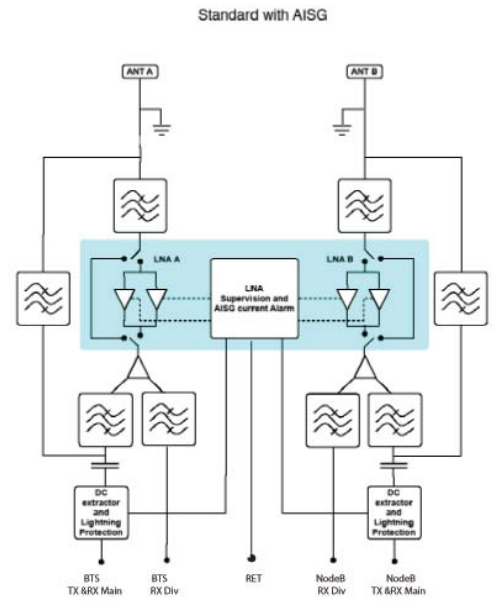
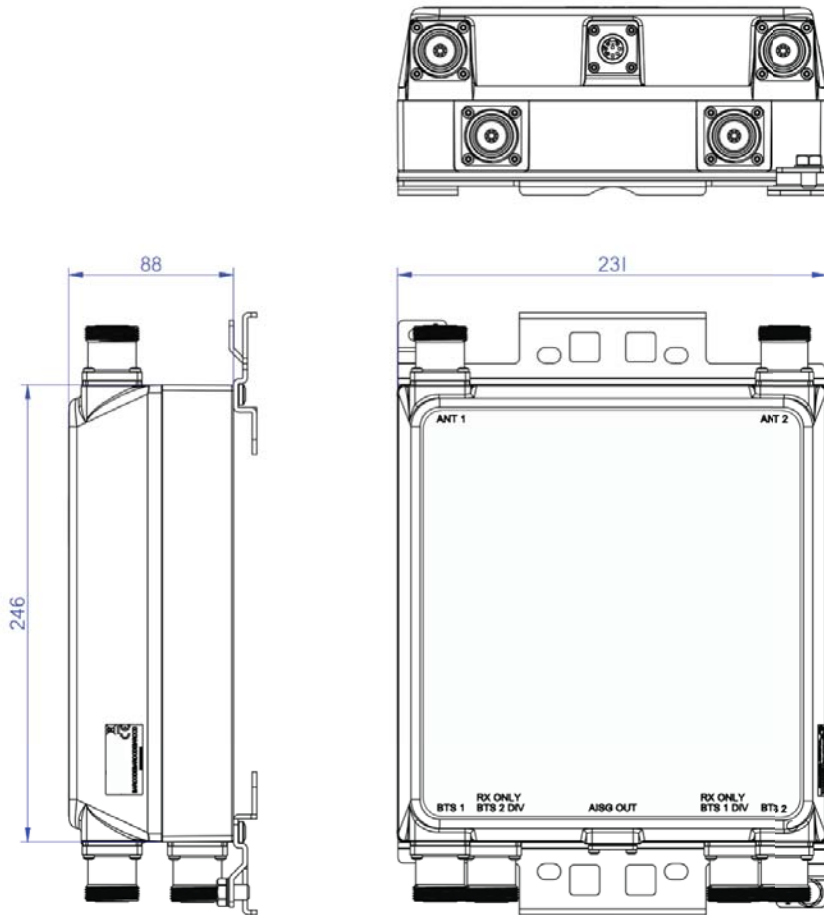
**COMING
SOON**

Quoted performance parameters are provided to offer typical, peak or range values only and may vary as a result of normal testing, manufacturing and operational conditions. Extreme operational conditions and/or stress on structural supports is beyond our control. Such conditions may result in damage to this product. Improvements to products may be made without notice.

TTA-GLG0310K

GSM900 & UMTS900 | Active Same Band Combiner | AISG v2.0

Mechanical Characteristics		
Dimensions - Length x Width x Depth	246 x 231 x 88 mm	9.7 x 9.1 x 3.5 in
Gross Weight	6.0 kg	13.2 lbs
Connectors (number, type)	BTS	(4x) 7-16 Female or 4.3/10 Female
	ANT	(2x) 7-16 Female or 4.3/10 Female
	AISG	(1x) AISG 8-pin circular
Color	NCS 1502-R	
Mounting	Hose clamps, arbitrary orientation	
Dimensions	Block Diagram	



Quoted performance parameters are provided to offer typical, peak or range values only and may vary as a result of normal testing, manufacturing and operational conditions. Extreme operational conditions and/or stress on structural supports is beyond our control. Such conditions may result in damage to this product. Improvements to products may be made without notice.