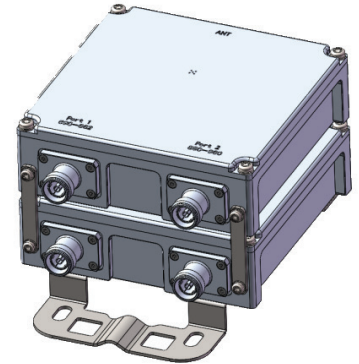


DPX-13x-JJ-43v

Diplexer | 700+800/900 | Single and Twin Units | Indoor / Outdoor

- Combines the 700+800 and 900 cellular bands into a single output
- Usable at the BTS or antenna end
- Built in lightning protection on all ports
- Available as single or twin unit, with various DC/AISG bypass configurations
- Suitable for indoor or outdoor applications
- Pole or wall mounting



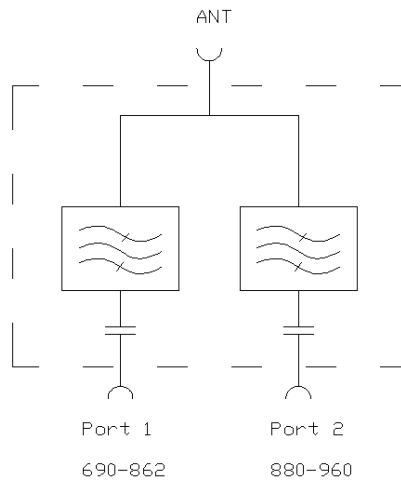
| Ordering Options | | Single Unit | Twin Unit |
|------------------------------------|---------------------|---|-------------------|
| No DC/AISG bypass | | | |
| Input Connector | Output Connector | | |
| 4.3-10 Female | 4.3-10 Female | DPX-136-JJ-43Fv | DPX-137-JJ-43Fv |
| 4.3-10 Female | 7/16 DIN Female | DPX-136-JJ-43FDFv | DPX-137-JJ-43FDFv |
| Electrical Characteristics | | Single Unit | Twin Unit |
| Pass Band | Band 1 | 690-803 MHz | |
| | Band 2 | 880-960 MHz | |
| Max Insertion Loss | Port 1 -- ANT | < 0.45 dB | |
| | Port 2 -- ANT | | |
| Typical Insertion loss | Port 1 -- ANT | < 0.2 dB | |
| | Port 2 -- ANT | | |
| Max Return loss | Port 1 -- ANT | > 20 dB | |
| | Port 2 -- ANT | | |
| Mean Return loss | Port 1 -- ANT | > 18 dB | |
| | Port 2 -- ANT | | |
| Passband Ripple | Port 1 -- ANT | -0.15 to +0.15 | |
| | Port 2 -- ANT | | |
| Isolation between input ports (dB) | Port 1 - Port 2 | > 50 dB (690-803 MHz / 880-960MHz) | |
| VSWR | | < 1.3 (690-803 MHz / 880-960MHz) | |
| Average Power | Port 1, Port 2, ANT | < 300 W | |
| IM3 (2x43 dBm) | | < -117 dBm | |
| Impedance (Ω) | | 50 | |
| Environmental | | | |
| Temperature Range | | -40° to +60° C | -40° to +140° F |
| Ingress Protection | | IP67 | |
| Lightning Protection | | 10 kA 8/20 μs | |
| Application | | Indoor / Outdoor | |
| Salt Fog Standard | | IEC 60168-2-11 | |
| Environment standard | | RoHS 2011/65/EU and ISO Certification 901/2015 & 14001/2015 | |

Quoted performance parameters are provided to offer typical, peak or range values only and may vary as a result of normal testing, manufacturing and operational conditions. Extreme operational conditions and/or stress on structural supports is beyond our control. Such conditions may result in damage to this product. Improvements to products may be made without notice.

DPX-13x-JJ-43v

Diplexer | 700+800/900 | Single and Twin Units | Indoor / Outdoor

| Mechanical Characteristics | | | |
|--|-------------|---|---------------------|
| Connectors | | 4.3-10 Female Long Neck | |
| Dimensions (H x W x D) With Connectors and Mounting Brackets | Single Unit | 292 x 168 x 77.5 mm | 11.5 x 6.6 x 3.1 in |
| | Twin Unit | 292 x 168 x 140 mm | 11.5 x 6.6 x 5.5 in |
| Weight With Connectors and Mounting Brackets | Single Unit | 3.3 kg | 7.3 lbs |
| | Twin Unit | 6.5 kg | 14.3 lbs |
| Mounting Options | | Description | |
| Pole / Wall Bracket (included) | | Attach to pole diameter Ø40-Ø135 mm (Ø1.57-Ø5.3 in) | |



Quoted performance parameters are provided to offer typical, peak or range values only and may vary as a result of normal testing, manufacturing and operational conditions. Extreme operational conditions and/or stress on structural supports is beyond our control. Such conditions may result in damage to this product. Improvements to products may be made without notice.