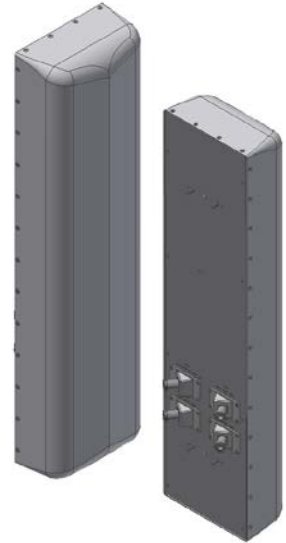


X7CAP-465

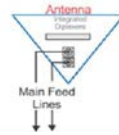
X-Pol Dual Band Antenna, 698-896/1710-2170 MHz,
(50.5", 65° H-Beam)

- Macro Cell High Gain Antenna
- Broadband Radiators
- Highly Reliable Fixed Tilt Design
- Suitable for LTE/CDMA/UMTS/GSM
- Mechanical Tilt Bracket Included



Available with Integrated Diplexers

Reduces mainline cables
Eliminates external tower devices



ELECTRICAL SPECIFICATIONS

Frequency Band, MHz	698-824	824-896	1710-1880	1850-1990	1920-2170
Horizontal Beam Width, 3dB points	71°	68°	58°	58°	55°
Gain, dBi	14.0	14.4	17.3	17.1	17.3
Vertical Beam Width, 3dB points	16.3°	14.0°	7.5°	7.1°	6.7°
Front-to-Back at 180°, dB	>26		>26		
Upper Side Lobe Suppression, Typical, dB	<-18		<-18		
Polarization	+/-45°		+/-45°		
Electrical Down Tilt, Fixed	0, 2, 4, 6, 8, 10°			0, 2, 4, 6°	
VSWR/Return Loss, dB, Maximum	1.5:1/-14.0			1.5:1/-14.0	
Isolation Between Ports, dB, Minimum	28			28	
Intermodulation (2x20w), IM3, dBc, Maximum	-150			-150	
Impedance, ohms	50			50	
Maximum Power Per Connector, CW	500 @ 800 MHz			250 @ 1900 MHz	

MECHANICAL SPECIFICATIONS

Dimensions, Length/Width/Depth	50.5/12.5/7.1 in. (1282/318/180mm)
Connector (Quantity)	(2 or 4) 7-16 DIN Female
Connector Torque	220-265 lbf-in (23-30 N-m)
Connector Location	Back or Bottom
Antenna Weight	24.2 lbs (11.0 kg) <i>Note: Weight varies slightly based on ordering options</i>
Bracket Weight	13.2 lb. (6.0 kg)
Standard Bracket Kit	CSS P/N 919011 (Included)
Mechanical Down Tilt Range	0-12°
Radome Material	High Strength Luran, UV Stabilized, ASTM D1925
Wind Survival	150 mph (241 km/h)
Front Wind Load	127.1 lbf (565.3 N) @100mph
Equivalent Flat Plate	2.53 sq-ft (c=2) @ 100mph

ORDER INFORMATION

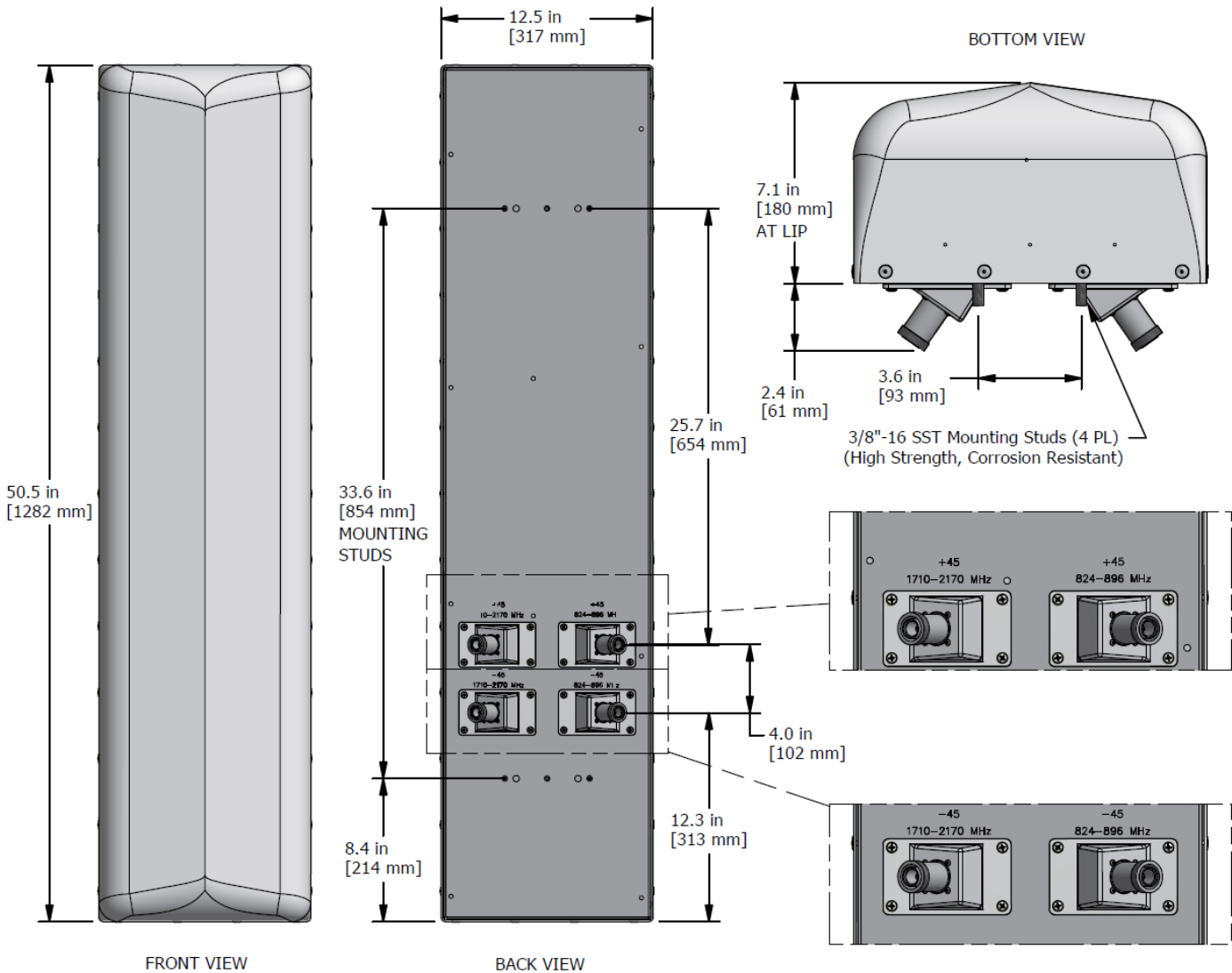
MODEL	DESCRIPTION
X7CAP-465- xy	X-Pol dual band antenna with four back DIN connectors
X7CAP-465- xy -IP	X-Pol dual band antenna with two back DIN connectors with integrated diplexers
X7CAP-465- xy -B	X-Pol dual band antenna with four bottom DIN connectors
X7CAP-465- xy -IP-B	X-Pol dual band antenna with two bottom DIN connectors with integrated diplexers
919036	Optional Bracket Kit, 2-Point, 12deg D-tilt, For 4.5" OD Pole

x defines the low band electrical tilt

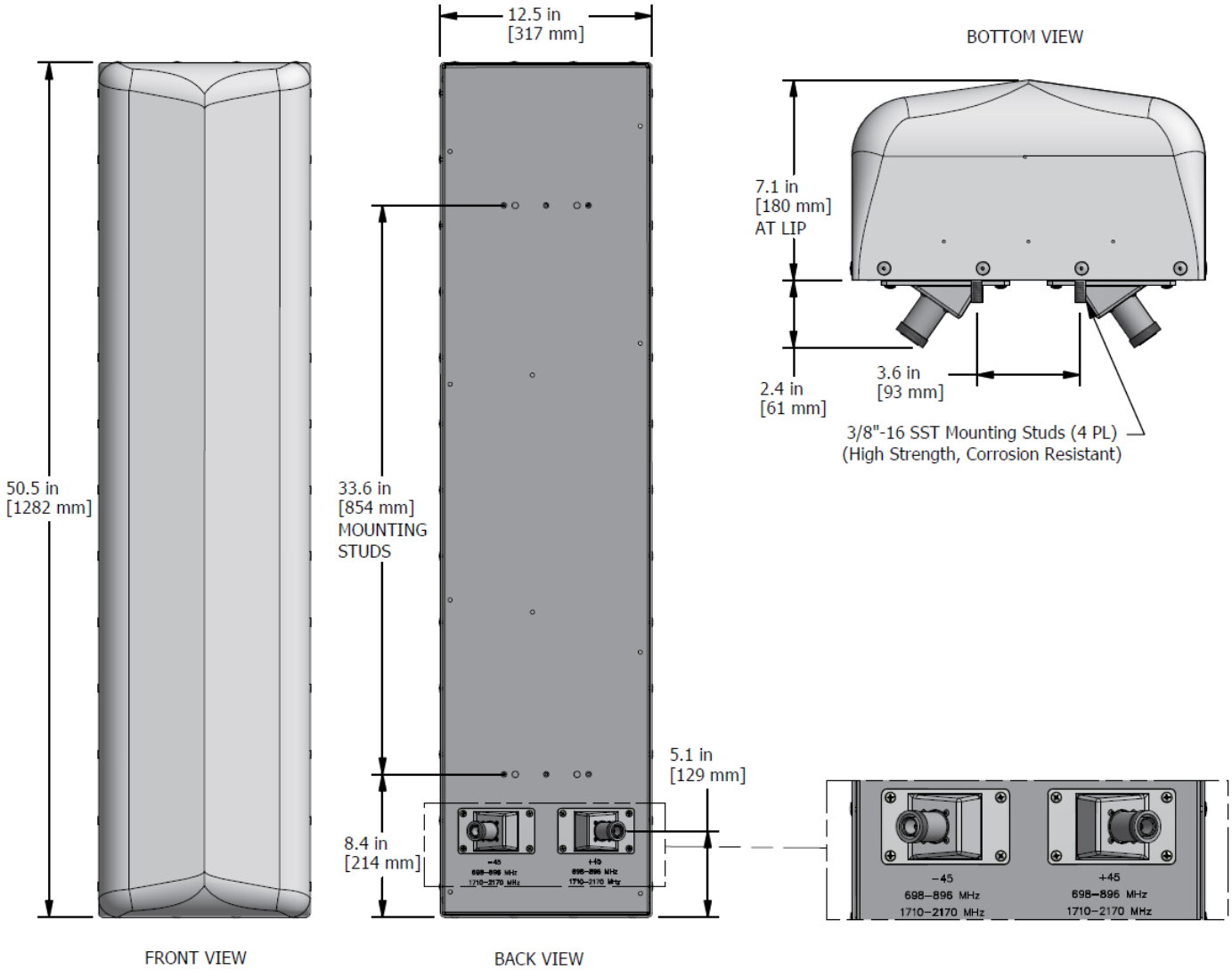
y defines the high band electrical tilt

Mechanical Outline Drawing

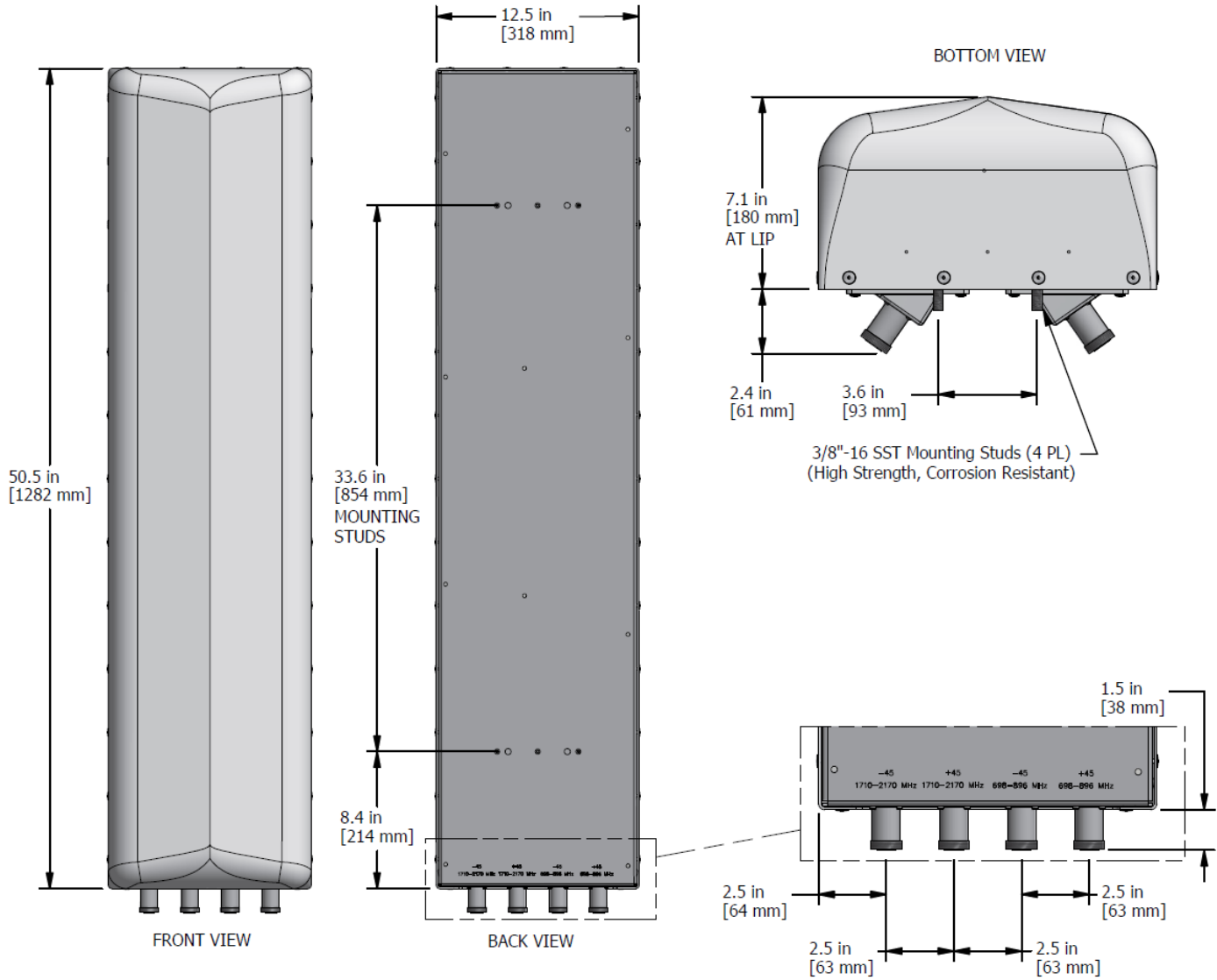
X7CAP-465



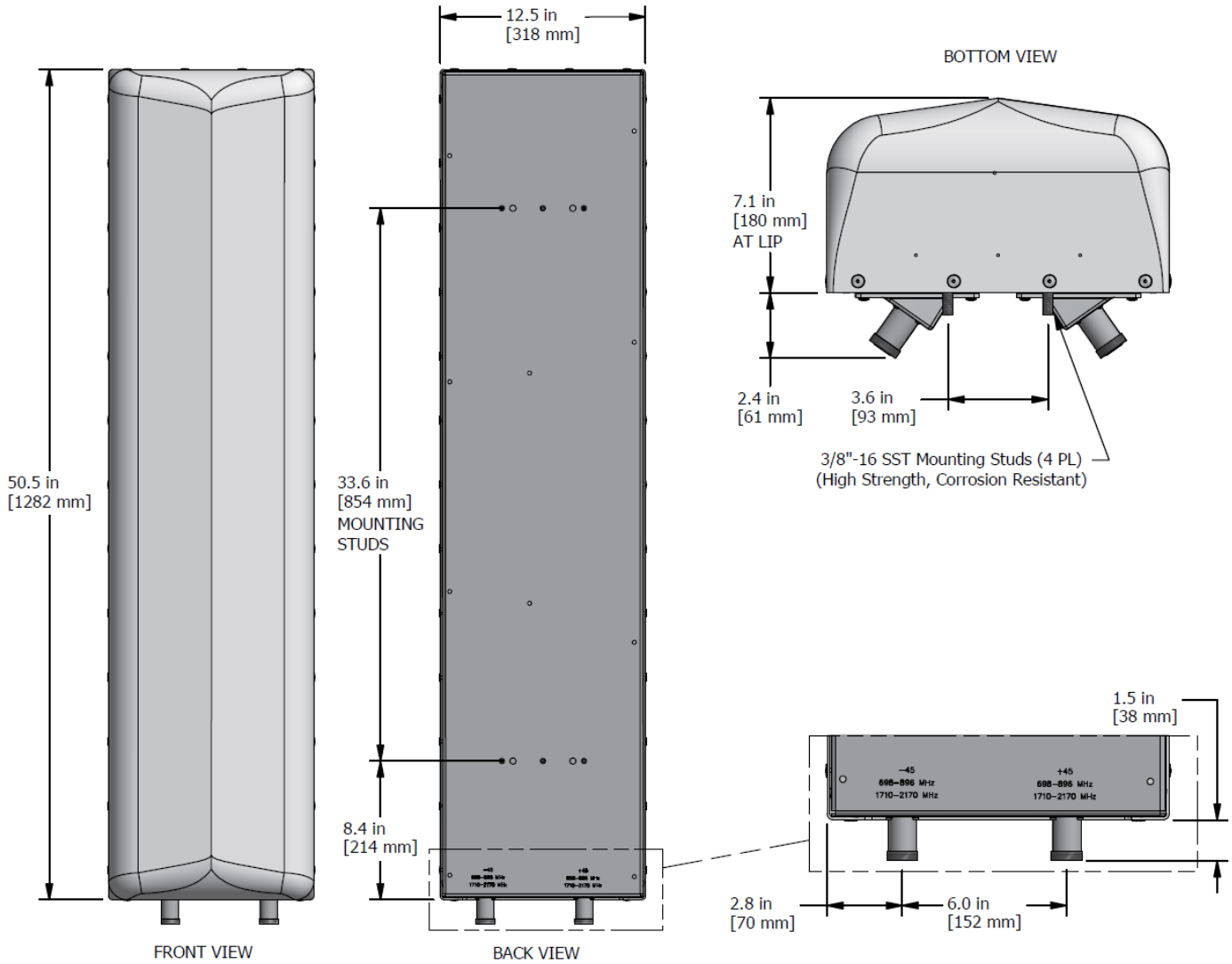
X7CAP-465-IP



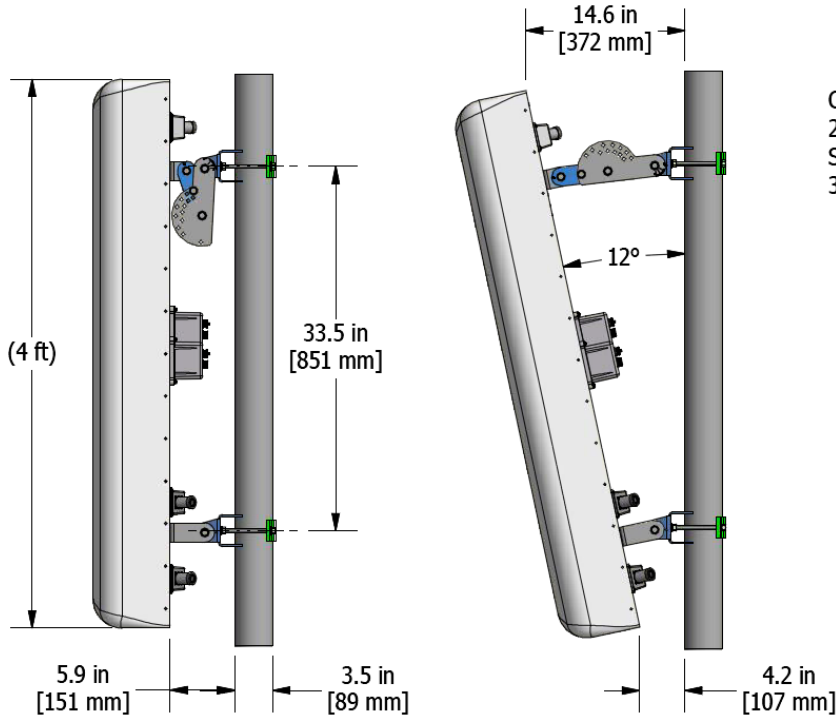
X7CAP-465-B



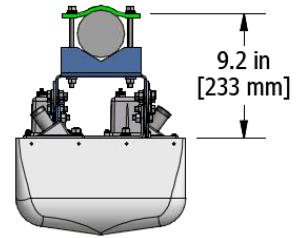
X7CAP-465-IP-B



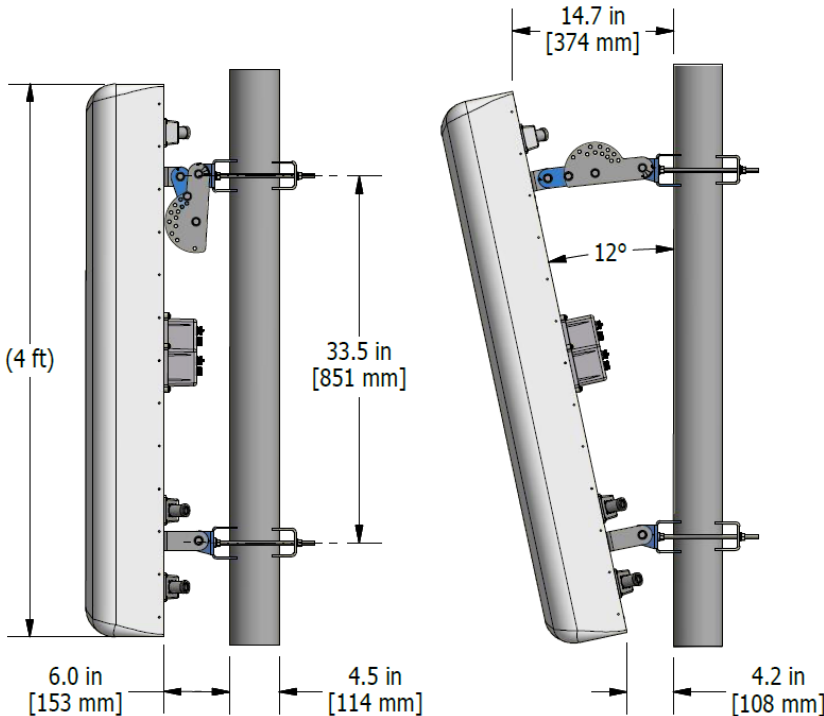
Standard Bracket Kit



CSS P/N: 919011 BRACKET KIT
 2 POINT, 12 DEGREE DOWN TILT
 SHOWN MOUNTED ON 3.5" O.D. POLE
 3.5" O.D. MAX POLE SIZE



Optional Bracket Kit



CSS P/N: 919036 BRACKET KIT
 2 POINT, 12 DEGREE DOWN TILT
 SHOWN MOUNTED ON 4.5" O.D. POLE
 4.5" O.D. MAX POLE SIZE

