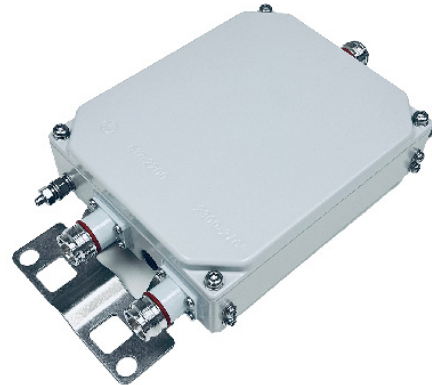


- ◆ Inject n41(BRS) & WCS in to multi-band DAS & Small Cell networks
- ◆ Guaranteed Low PIM
- ◆ 50 dB Input Isolation
- ◆ 200 W per port
- ◆ IP67 Rated
- ◆ Minimal RF Insertion Loss
- ◆ RoHS compliant
- ◆ 4.3-10 Connectors



Model No.	Type	Weight lbs (kg)	Dimensions inches [mm]
BK-693E	Single	4.1 (1.91)	6.54 x 5.35 x 1.77 [166 x 136 x 45]
BK-693EW	Dual	8.2 (3.82)	6.54 x 5.35 x 3.84 [166 x 136 x 97]

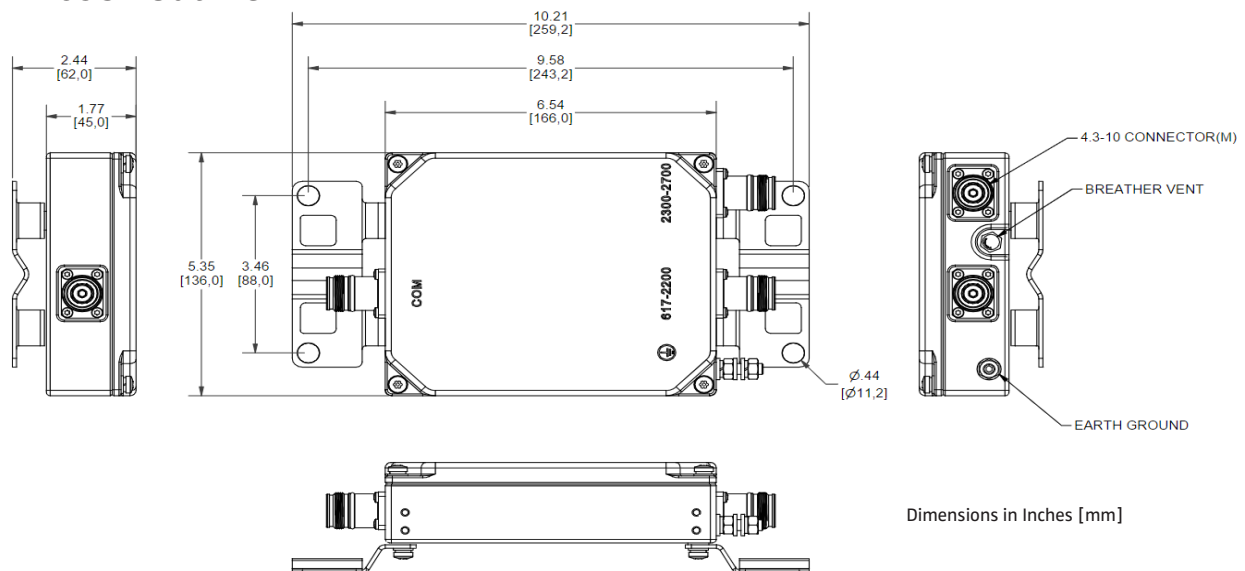
Microlab BK-693E is a diplexer which allows combination and separation of the signals in 617-2200 MHz and 2300-2700 MHz wireless bands. To minimize band interaction, the inputs are well isolated and have minimal insertion loss over their respective frequency bands. Attention to mechanical design ensures guaranteed low passive intermodulation.

The diplexer allows efficient combining or division of the standard cellular bands for use in a small cell, coaxial distributed in-building cellular network or D-RAN. Dual mounted configuration for 2x2 MIMO applications is available as BK-693EW

Frequency Bands:

Port 1:	617-960/1695-2200 MHz
Port 2:	2300-2700 MHz
PIM:	-161 dBc (-118 dBm) min. (Test 2x +43dBm @ Ambient)
Return Loss:	19 dB min.
Isolation:	50 dB min.
Insertion Loss:	0.5 dB max., 0.2 dB typ.
Group Delay:	11ns (port 1), 13.5ns (port 2)
Power Rating:	200 W/input port
Impedance:	50Ω nom.
DC Pass:	3A max.
Environment:	-40° to +65°C, IP67
Lightening Protection:	±10 kA, 10/350 μs
Connectors:	4.3-10 (f), Flanged
Protection Ground:	M6 screw
Housing Finish:	Painted

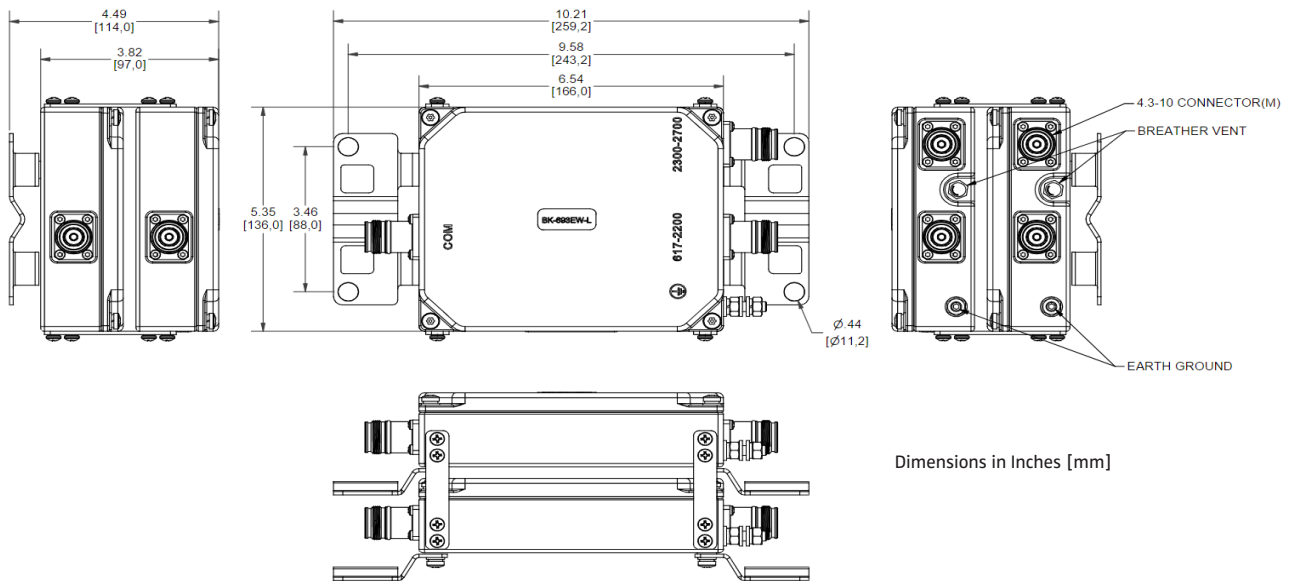
BK-693E Outline



Note: Specifications are subject to change without prior notification.

21Jun2022

BK-693EW Outline



Note: Specifications are subject to change without prior notification.

Microlab, A Division of RF Industries, 25 Eastmans Road, Parsippany, NJ 07054

Tel: (862) 328-1101 • sales@microlabtech.com • www.microlabtech.com