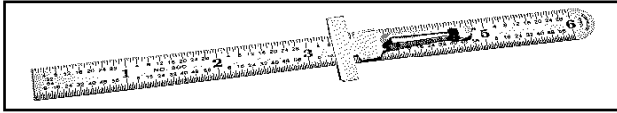


# HELIAX® Connector Tool Kit

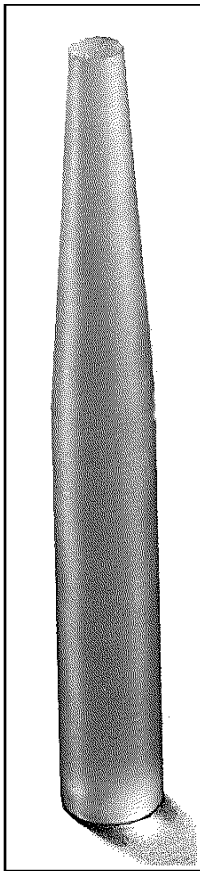
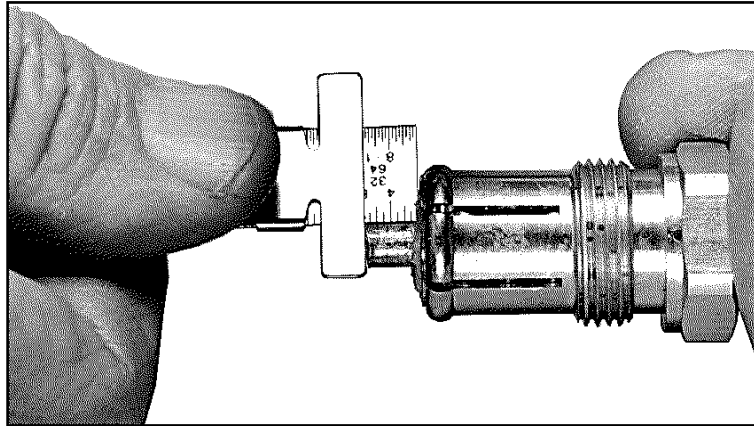


- |   |  |
|---|--|
| 222951* EASIAX® Cable Prep Tool, LDF5         | 224368 Flare tool, LDF5                              |
| 207866* EASIAX® Cable Prep Tool, LDF4         | 224373 Flare tool, LDF6                              |
| 207865* EASIAX® Cable Prep Tool, FSJ1/FSJ4    | 224392 Flare hammer                                  |
| 224354 Inch/millimeter rule                   | 224393 Flat hammer tip                               |
| 224358 Tapered drift punch, 3/4" (19 mm)      | 224394 Beveled hammer tip                            |
| 224361 Cut-off guide, 7/32" (5.5 mm), LDF4    | 224353 Wire snips                                    |
| 224362 Cut-off guide, 8/32" (6.3 mm), FSJ4    | 224360 Pin alignment tool                            |
| 224380 Pin depth gauge for N-male connector   | 224356 Fine flat file                                |
| 224395 Pin depth gauge for N-female connector | 224352 Safety knife                                  |
| 224355 Greasing brush                         | 224377 Soldering pliers                              |
| 224390 Leather buffing strap                  | 114469 Pin depth gauge for<br>DIN - Female Connector |
| 224391 Emery cloth, 1ft (30 cm)               | 114468 Pin depth gauge for<br>DIN - Male Connector   |
| 241953 Chamfer Tool                           |  |
| 224363 Flare tool, LDF4                       |  |

\* See instructions packed with the tool.

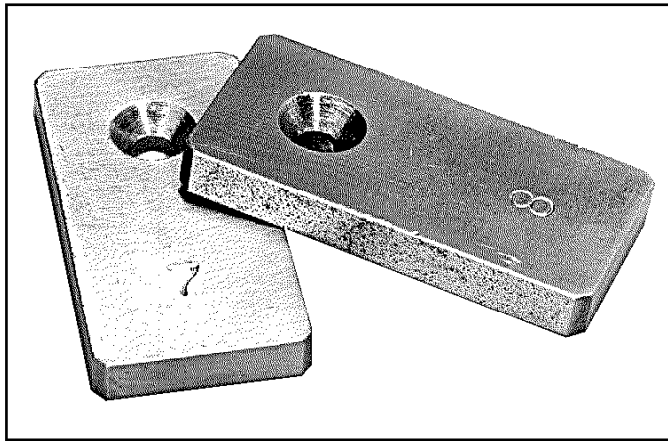


224354 Inch/millimeter rule



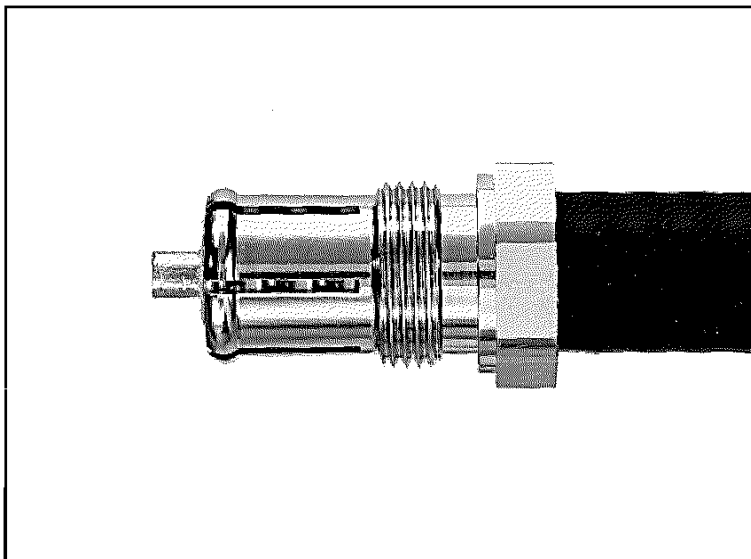
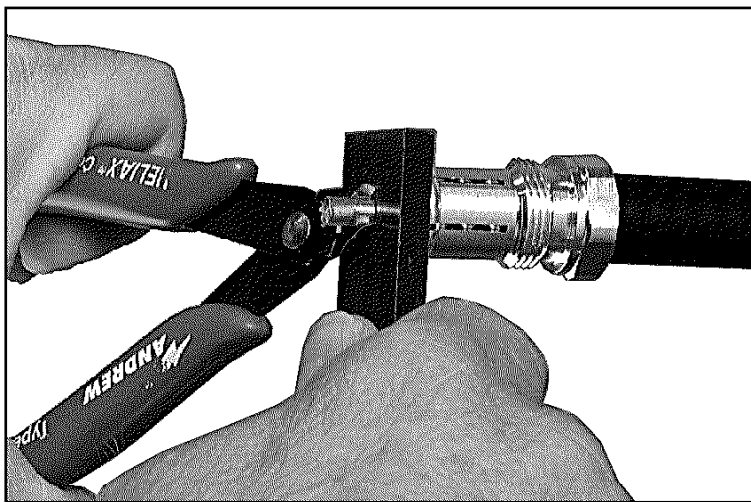
224358 Tapered drift punch

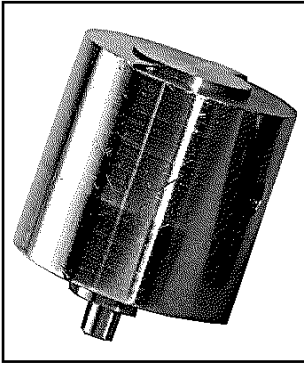




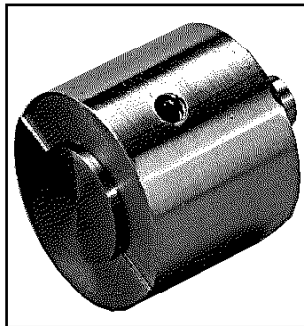
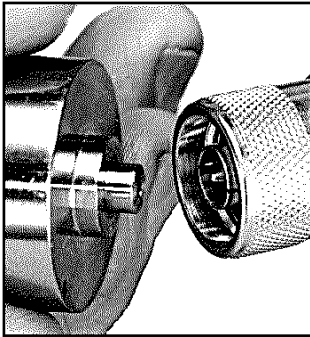
224361 Cut-off guide  
for LDF4 cable

224362 Cut-off guide  
for FSJ4 cable

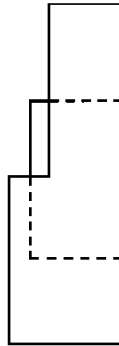
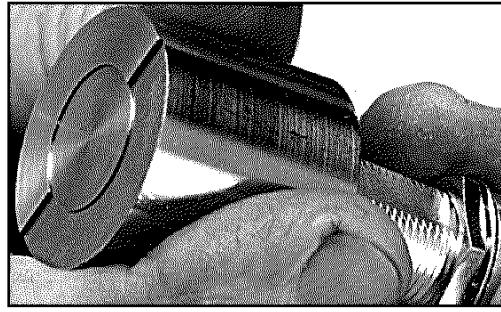
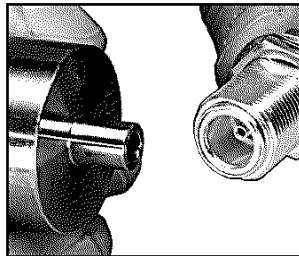




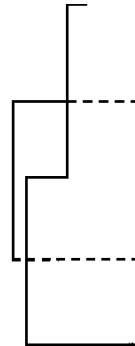
224380 pin depth gauge  
for N-male connector



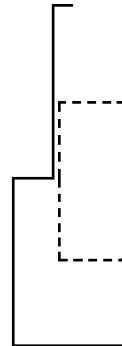
224395 pin depth gauge  
for N-female connector



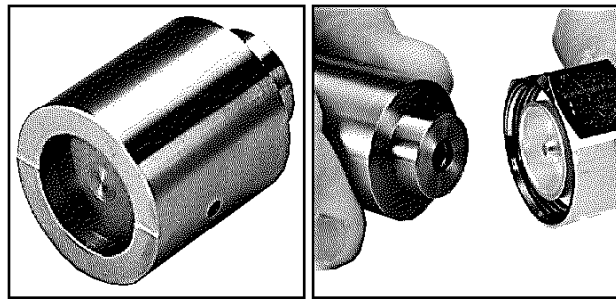
Correct pin  
depth -  
plunger is  
within sur-  
face limits



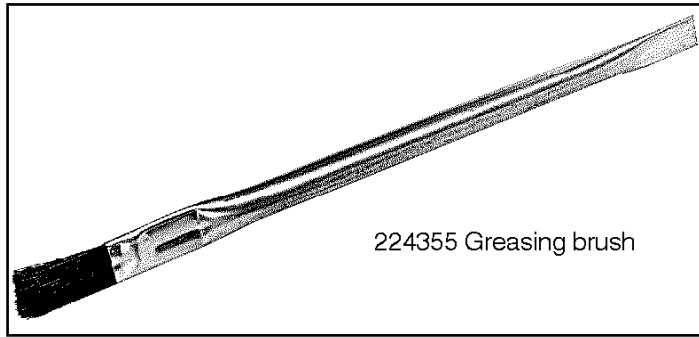
Too much  
pin depth -  
shorten  
inner con-  
ductor



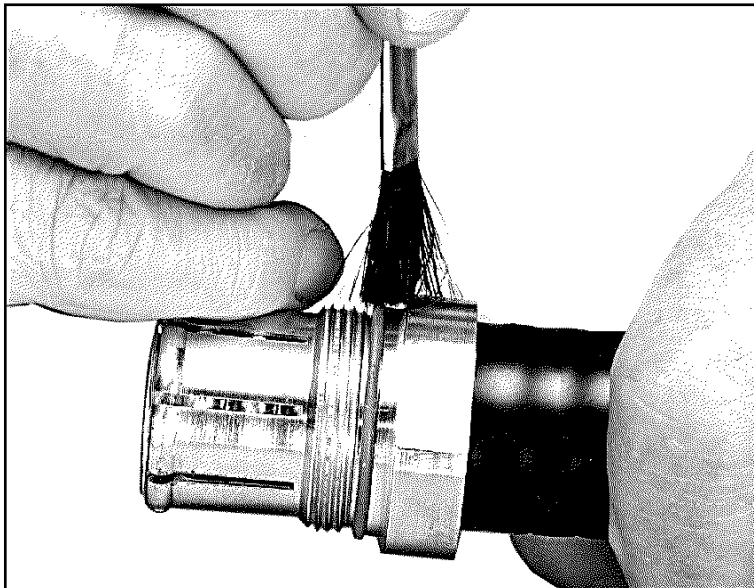
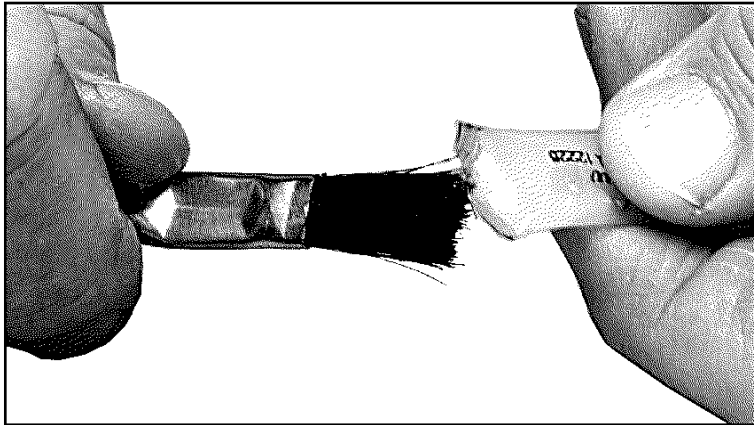
Not  
enough pin  
depth -  
position  
pin closer  
to connec-  
tor end

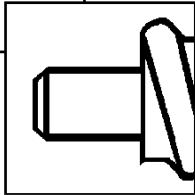
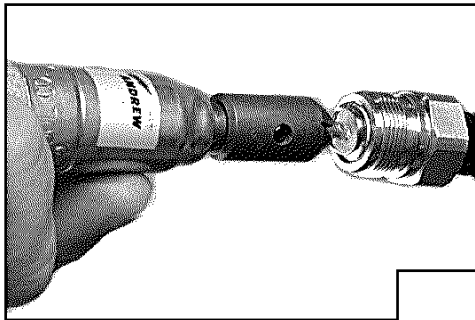
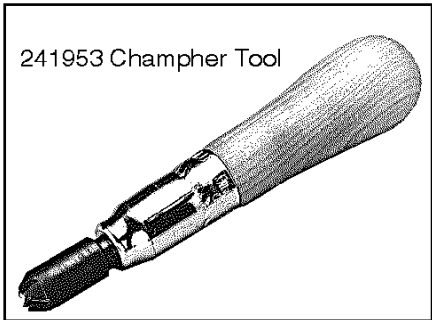
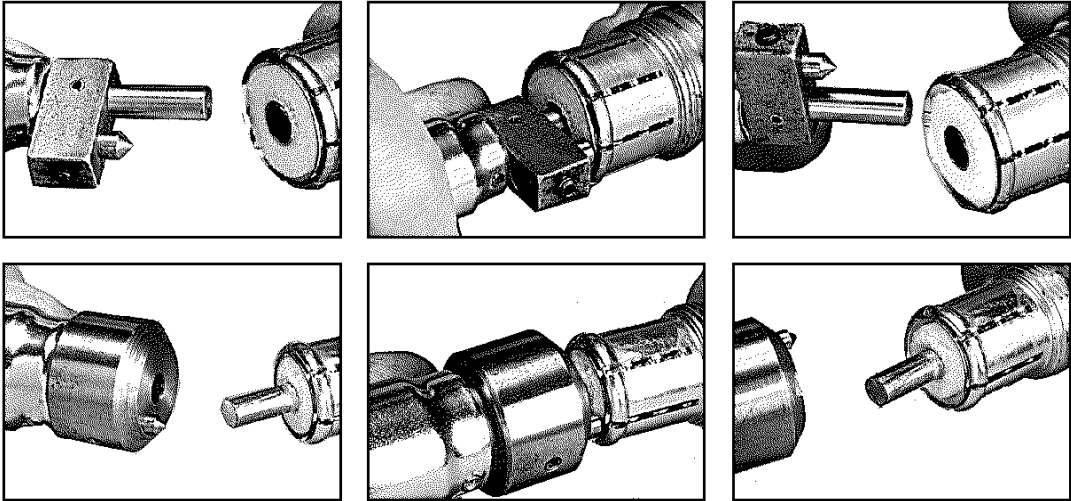
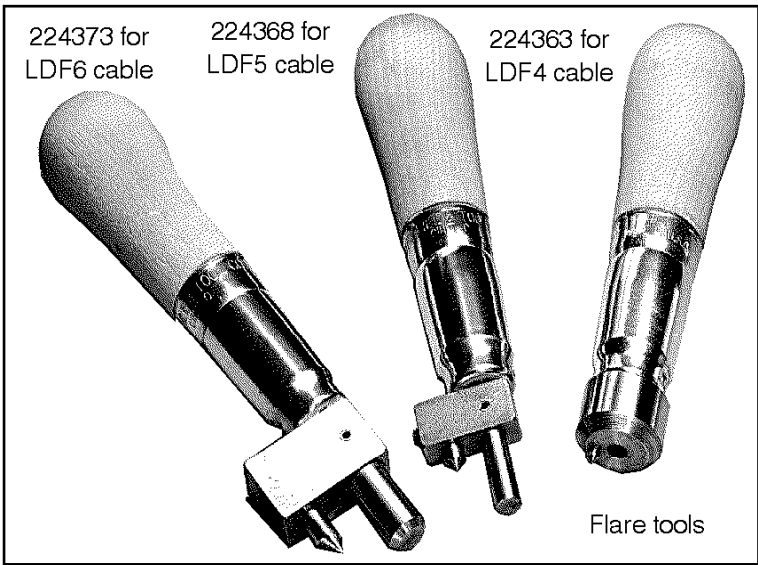


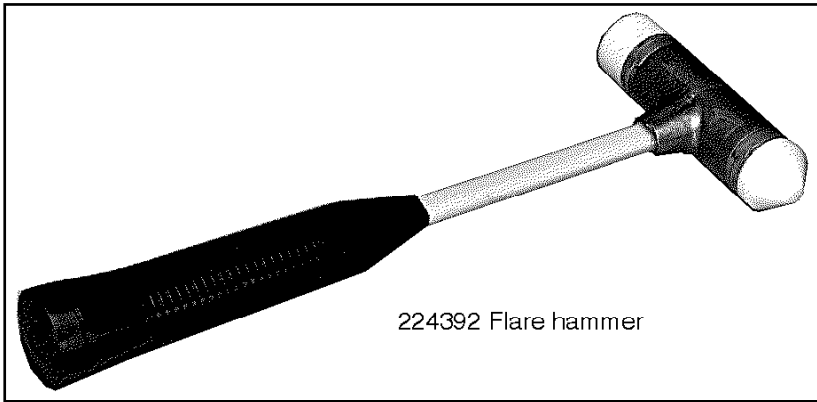
114468 male (shown) and 114469 female  
pin depth gauges for DIN-connectors



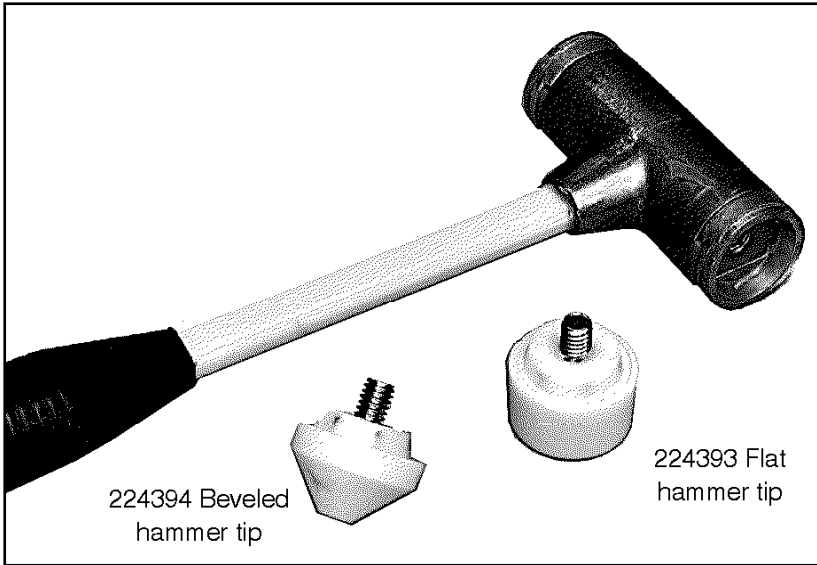
224355 Greasing brush





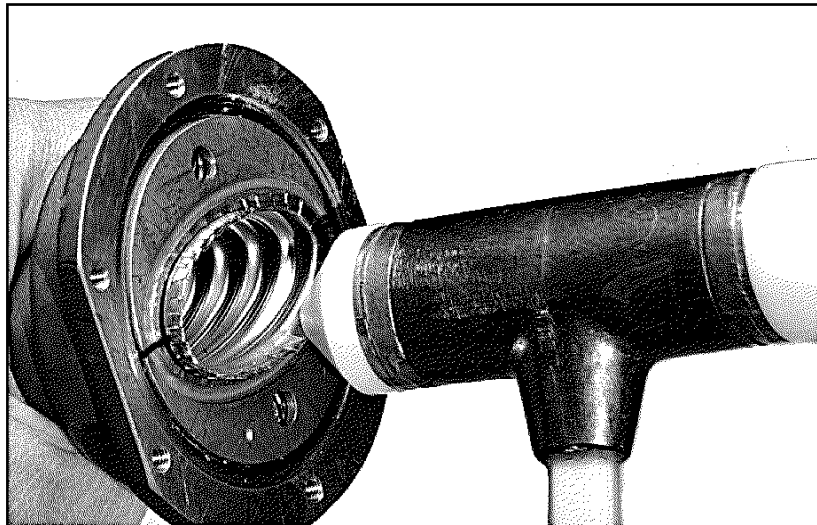


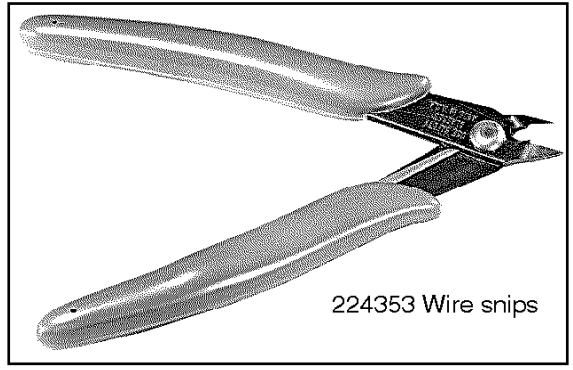
224392 Flare hammer



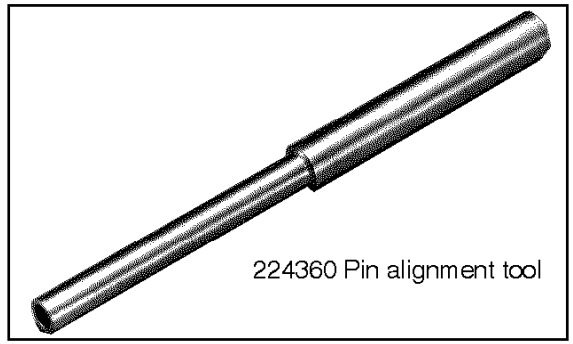
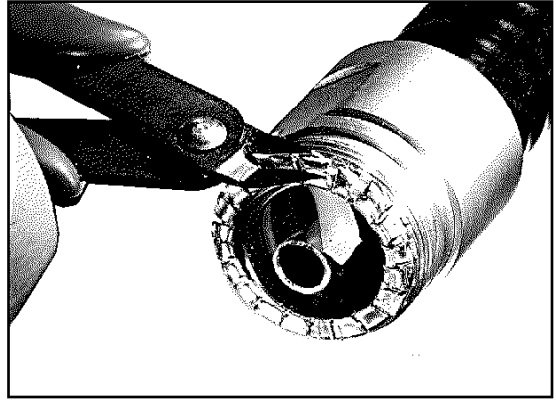
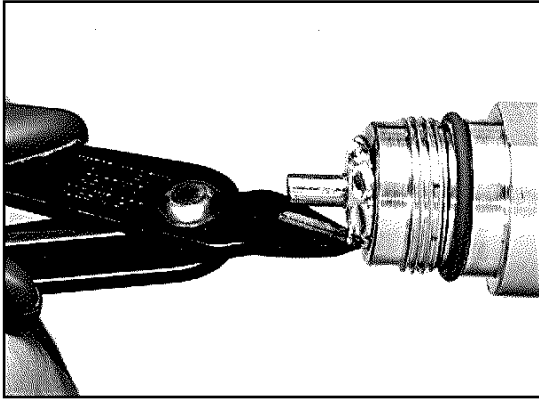
224394 Beveled  
hammer tip

224393 Flat  
hammer tip

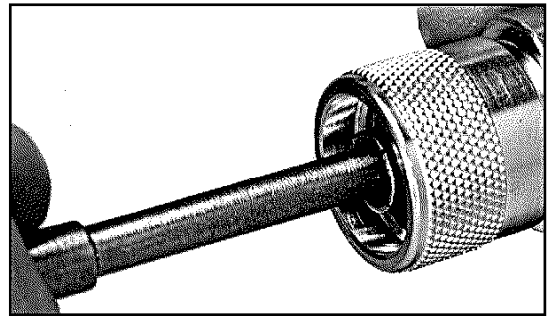
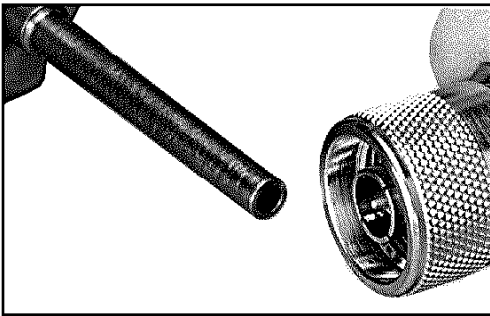




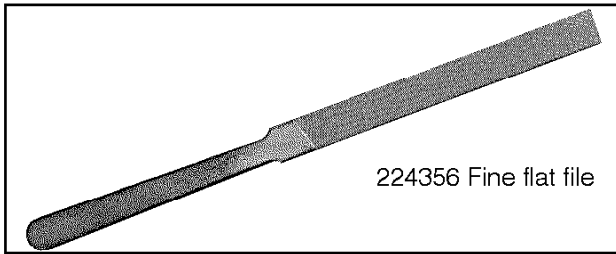
224353 Wire snips



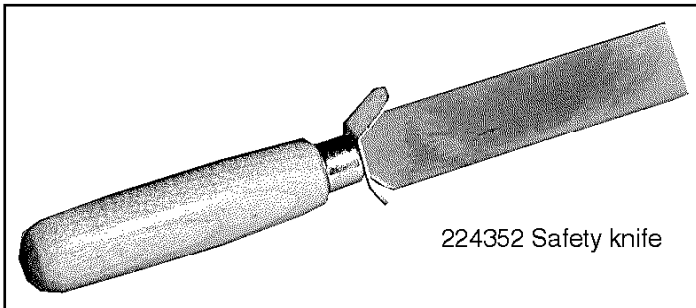
224360 Pin alignment tool



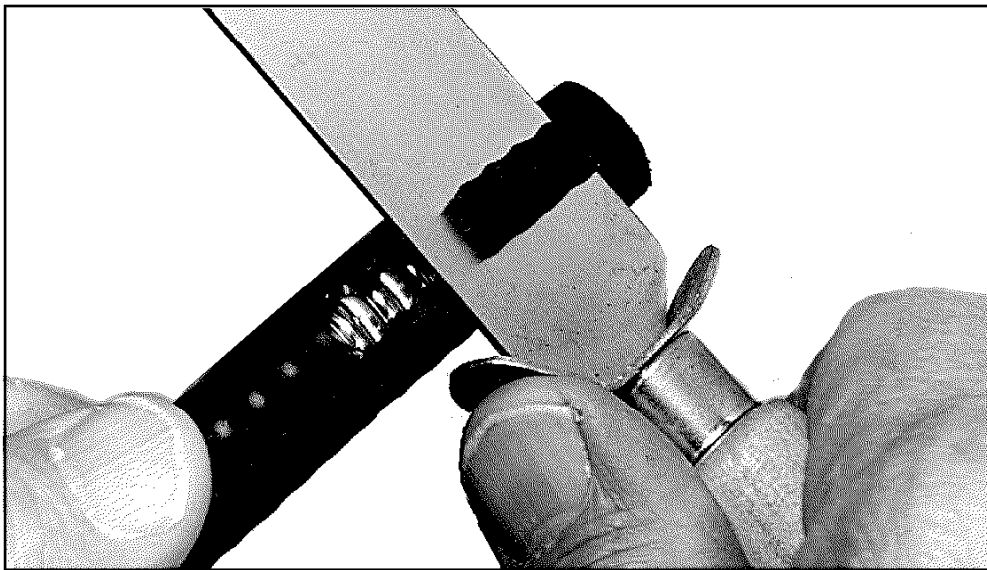


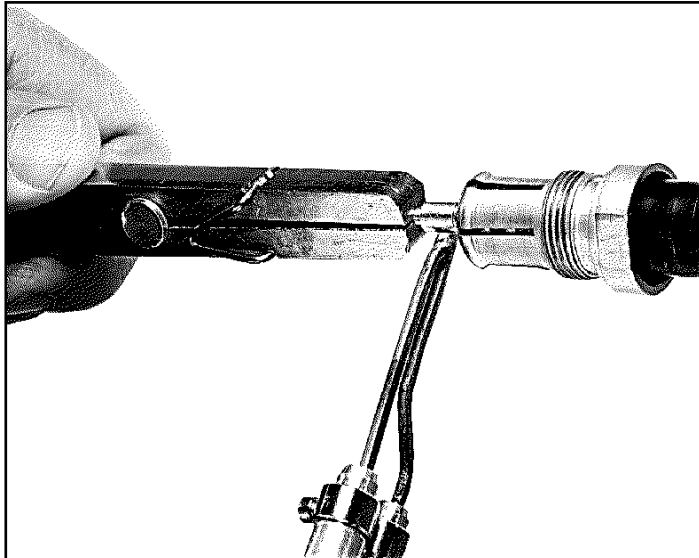
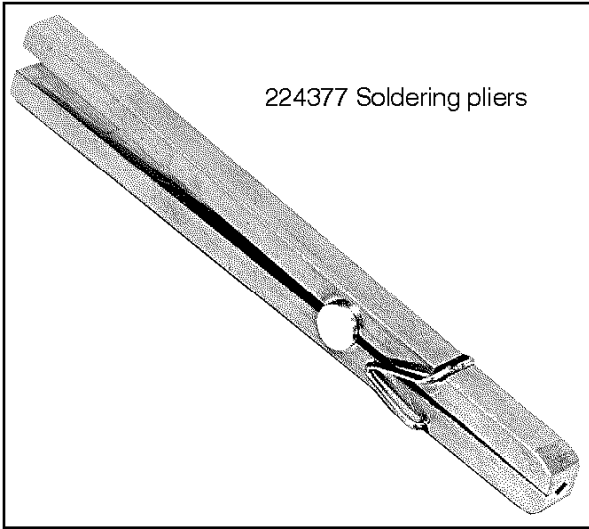


224356 Fine flat file



224352 Safety knife





**Andrew Corporation**  
10500 West 153rd Street  
Orland Park, IL U.S.A. 60462

Telephone: 708-349-3300  
FAX (U.S.A.): 1-800/349-5444  
Internet: <http://www.andrew.com>

Customer Service, 24 hours: U.S.A. • Canada • Mexico: 1-800/255-1479  
U.K.: 0800 250055 • Republic of Ireland: 1 800 535358  
Other Europe: +44 1592 782612

Printed in U.S.A. 4/97  
Copyright © 1997 by Andrew Corporation