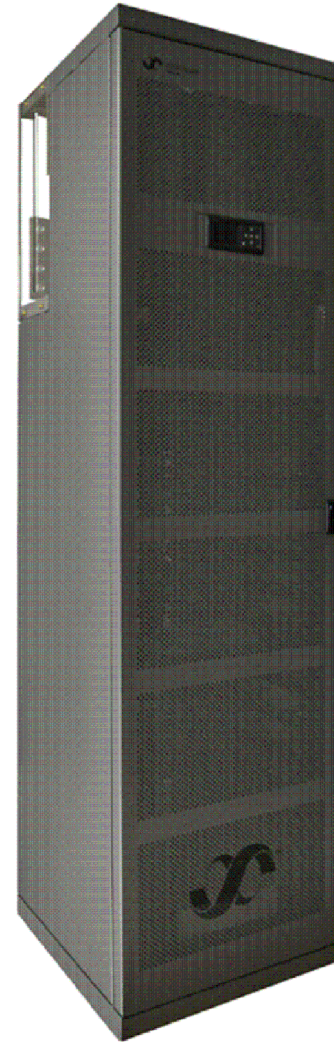
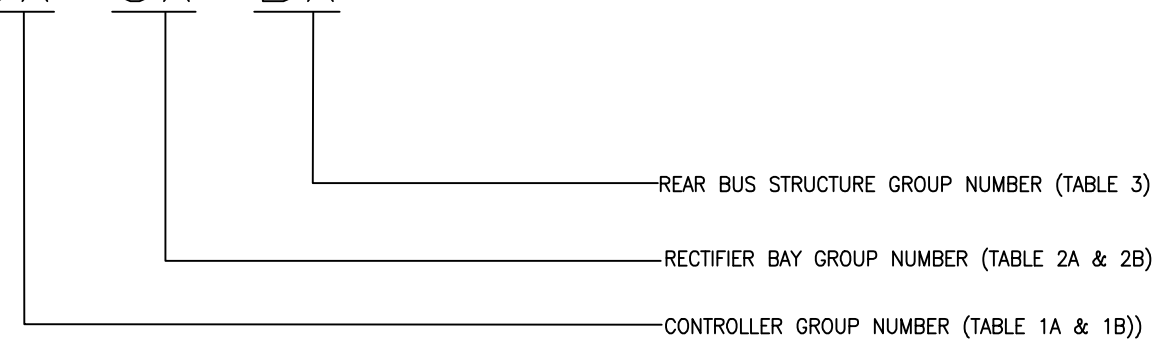


SCALABLE RECTIFIER BAY PRODUCT GUIDE

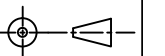


PRODUCT DESCRIPTION:


SPS-C_x-S_x-B_x



SHEET CONTENTS	SECTION	NOTE
CONTROLLER SELECTION	1.0	
RECTIFIER BAY SELECTION	2.0	
REAR BUS STRUCTURE SELECTION	3.0	
RECTIFIER	4.0	
SMARTPACK2 CONTROLLER ACCESSORY	5.0	
XC CONTROLLER ACCESSORY	5.1	
SYSTEM ACCESSORY	5.2	
INTERCONNECTION BUS	6.0	
EXTERNAL GROUND BUS KIT	6.1	
CUSTOMER REFERENCE DOCUMENTS	7.0	
RECTIFIER BAY PART NUMBER SUMMARY-SMARTPACK2	8.0	
RECTIFIER BAY PART NUMBER SUMMARY-XC	8.1	



ELTEK VALERE CONFIDENTIAL & PROPRIETARY – USE PURSUANT TO COMPANY INSTRUCTION
UNLESS OTHERWISE SPECIFIED, ALL DIMENSIONS ARE IN INCHES
UNLESS OTHERWISE SPECIFIED, ALL LINEAR DIMENSIONAL TOLERANCES ARE ±.015

DESCRIPTION OF CHANGE PER ECO NO.		
NEW DRAWING RELEASE		
ENGINEER Franky Huang	ENG. 10-06-14	
DRAFTER FMH	DRAWN	
APPROVED	IFS	CAD AUTOCAD
ASSEMBLY DRAWING SCALABLE RECTIFIER BAY PRODUCT GUIDE COVER		
DRAWING ISSUE DATE		
DRAWING NUMBER	2110965	REV 6

SECTION 1.0 CONTROLLER SELECTION MUST SELECT ONE

TABLE 1A CONTROLLER FOR PRIMARY RECTIFIER BAY

GROUP NUMBER	DESCRIPTION	# OF OUTPUT RELAY	# OF CONFIGURABLE INPUT	AGENCY APPROVAL	WIDTH (IN)	DEPTH (IN)	HEIGHT (IN)	EST. WEIGHT (LBS)	CLEI / CPR	NOTE
C1	SMARTPACK2 CONTROLLER, INCLUDING SMARTPACK2 BAY CONTROLLER(242100.601.VC) , SMARTPACK2 MASTER (242100.500.VC) WITH SD CARD, AND QTY 2 I/O MONITOR2 MODULES (242100.502.VC). QTY 15 FORM-C RELAY OUTPUTS (3 ON BY CONTROLLER, 12 ON I/O MONITOR2), QTY 12 CONFIGURABLE NO/NC INPUTS ON I/O MONITOR2, QTY 3 NO/NC/TEMP PROBE INPUTS ON BY CONTROLLER, ETHERNET PORT FOR REMOTE OR LOCAL MONITORING AND CONTROL.	15	QTY 12 NO/NC, PULL UP/DN, DIODE MATRIX ON I/O MONITOR2 QTY 3 NO/NC/TEMP (NTC) ON BAY CONTROLLER	CE, UL, NEBS RoHS COMPLIANT	6.4 (BASIC) 6.4 (MASTER) 5.4 (I/O)	3.3 (BASIC) 1.6 (MASTER) 2.3 (I/O)	1.4 (BASIC) 3 (MASTER) 1.2 (I/O)	3	YES	
C2	XC DIGITAL SYSTEM CONTROLLER 48VDC (XC2100-A01-10W) AND DISPLAY (XDSP2100) QTY 6 FORM-C ALARM RELAYS; QTY 4 INPUTS: FORM-C OR TEMP PROBE FULL WEB ACCESS, SNMP, TELNET	6	4	CE, UL, NEBS RoHS COMPLIANT	9.15	4.11	1.22	5	NO	OBSOLETE IN REVISION 4

TABLE 1B CONTROLLER FOR EXPANSION RECTIFIER BAY

GROUP NUMBER	DESCRIPTION	# OF OUTPUT RELAY	# OF CONFIGURABLE INPUT	AGENCY APPROVAL	WIDTH (IN)	DEPTH (IN)	HEIGHT (IN)	EST. WEIGHT (LBS)	CLEI / CPR	NOTE
C3	NO MASTER CONTROLLER FOR EXPANSION RECTIFIER BAY, ONLY WITH BAY CONTROLLER, PROVIDES QTY 3 RELAY OUTPUTS AND QTY 3 NO/NO/TEMP PROBE (NTC) INPUTS, COMPATIBLE WITH SMARTPACK2 CONTROLLER	3	QTY 3 NO/NC/TEMP (NTC) ON BAY CONTROLLER	N/A	N/A	N/A	N/A	2	NO	
C4	NO CONTROLLER FOR EXPANSION RECTIFIER BAY, COMPATIBLE WITH XC CONTROLLER	N/A	N/A	N/A	N/A	N/A	N/A	2	NO	

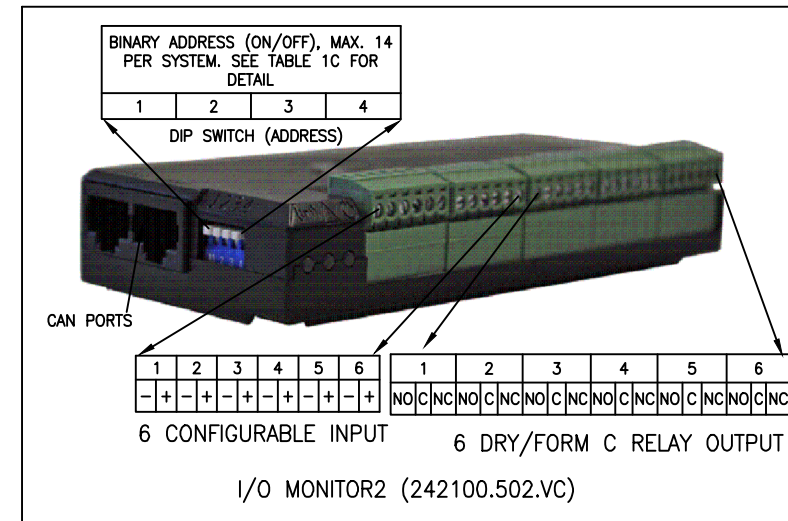
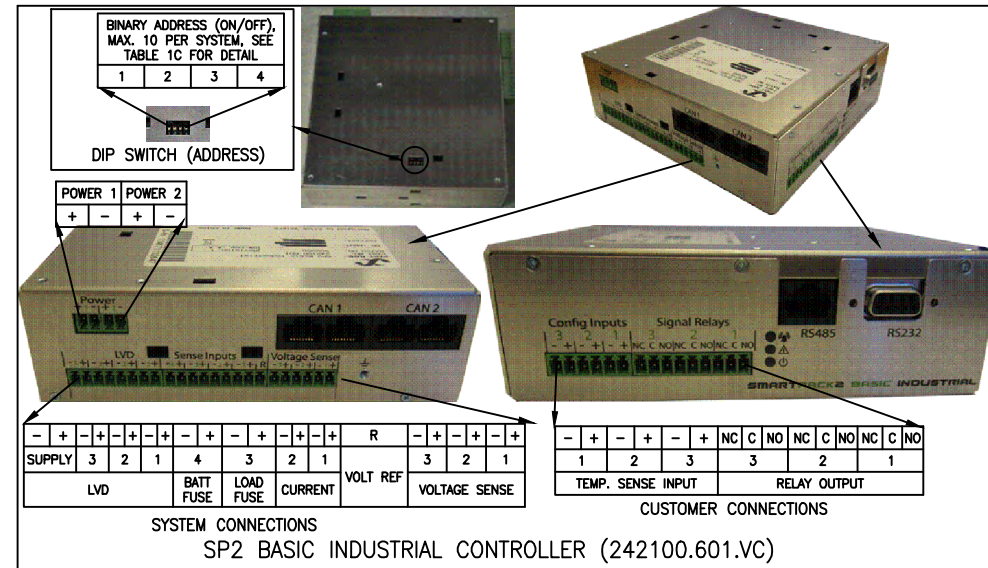
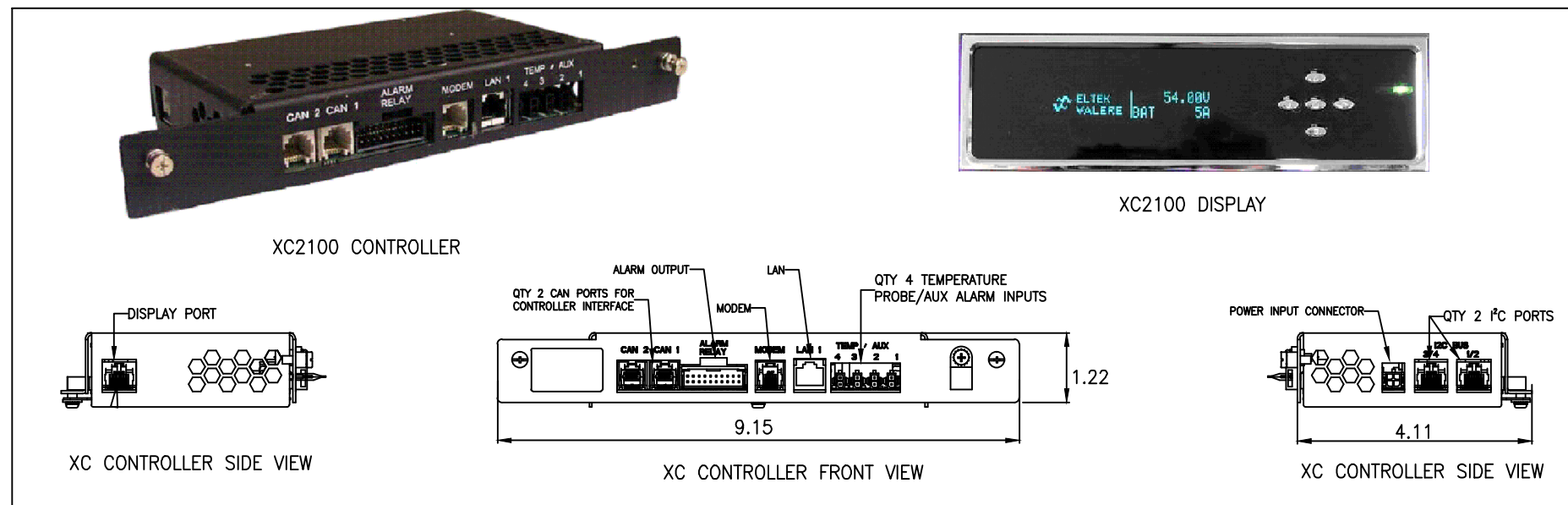


TABLE 1C DIP SWITCH SETTING				
ADDRESS (ID#)	DIP SWITCH POSITION			
	1	2	3	4
1ST	OFF	OFF	OFF	OFF
2ND	ON	OFF	OFF	OFF
3RD	OFF	ON	OFF	OFF
4TH	ON	ON	OFF	OFF
5TH	OFF	OFF	ON	OFF
6TH	ON	OFF	ON	OFF
7TH	OFF	ON	ON	OFF
8TH	ON	ON	ON	OFF
9TH	OFF	OFF	OFF	ON
10TH	ON	OFF	OFF	ON
11TH	OFF	ON	OFF	ON
12TH	ON	ON	OFF	ON
13TH	OFF	OFF	ON	ON
14TH	ON	OFF	ON	ON



ELTEK VALERE CONFIDENTIAL & PROPRIETARY – USE PURSUANT TO COMPANY INSTRUCTION
UNLESS OTHERWISE SPECIFIED, ALL DIMENSIONS ARE IN INCHES
UNLESS OTHERWISE SPECIFIED, ALL LINEAR DIMENSIONAL TOLERANCES ARE ±.015

DESCRIPTION OF CHANGE PER ECO NO.		
NEW DRAWING RELEASE		
ENGINEER Franky Huang	ENG. 06-14-13	
DRAFTER FMH	DRAWN	
APPROVED	IFS	CAD AUTOCAD
ASSEMBLY DRAWING SCALABLE RECTIFIER BAY PRODUCT GUIDE CONTROLLER SELECTION		
DRAWING ISSUE DATE		
SECTION 1.0		
DRAWING NUMBER 2110965		

SECTION 2.0 RECTIFIER BAY, MUST SELECT ONE

TABLE 2A 208VAC INPUT RECTIFIER BAY

GROUP NUMBER	DESCRIPTION	NOMINAL OUTPUT VOLTAGE (VDC)	MAX. CURRENT @NOMINAL OUTPUT VOLTAGE	RECTIFIER POSITIONS	AC INPUT PANEL								WIDTH (IN)	DEPTH (IN)	HEIGHT (IN)	EST. WEIGHT (WITHOUT RECTIFIER) (LBS)	NOTE
					AC VOLTAGE (VAC)	AC INPUT FEED	MAX. AC INPUT CURRENT PER FEED	INPUT BREAKER RATING AND QTY	AC TERMINAL STYLE	MAX. WIRE SIZE	AC KNOCKOUT	GROUND STUD					
S1	SPS RECTIFIER BAY, 208VAC, INDIVIDUAL FEED, TERMINAL BLOCKS, 3450A OUTPUT POWERPACK RECTIFIER BAY, QTY 15 RECTIFIER POSITIONS, 3 PHASE 208VAC AC FEED, ONE RECTIFIER PER AC FEED, TOTAL 15 AC FEEDS, EVERY AC FEED INCLUDES 3 TERMINAL BLOCKS, EVERY TERMINAL BLOCK ACCEPTS MAX. 4 AWG CABLE	-48	3450	15	3P 208VAC	15	38.5A	N/A	COMPRESSION TERMINAL	4 AWG	FOR 1.5" CONDUIT QTY 8	¼"-20 STUD ON ⅝" CENTER QTY 12	23.6	25.25	84	753	
S2	SPS RECTIFIER BAY, 208VAC, TWO RECTIFIERS PER FEED, TERMINAL BLOCKS, 3450A OUTPUT POWERPACK RECTIFIER BAY, QTY 15 RECTIFIER POSITIONS, 3 PHASE 208VAC AC FEED, TWO RECTIFIERS PER AC FEED, TOTAL 8 AC FEEDS, EVERY AC FEED INCLUDES 3 TERMINAL BLOCKS, EVERY TERMINAL BLOCK ACCEPTS MAX. 1/0 AWG CABLE	-48	3450	15	3P 208VAC	8	77A	N/A	COMPRESSION TERMINAL	1/0 AWG	FOR 1.5" CONDUIT QTY 8	¼"-20 STUD ON ⅝" CENTER QTY 12	23.6	25.25	84	753	
S3	SPS RECTIFIER BAY, 208VAC, INDIVIDUAL FEED, SINGLE HOLE LUG, 3450A OUTPUT POWERPACK RECTIFIER BAY, QTY 15 RECTIFIER POSITIONS, 3 PHASE 208VAC AC FEED, ONE RECTIFIER PER AC FEED, TOTAL 15 AC FEEDS, EVERY AC FEED INCLUDES 3 #10-32 SCREWS	-48	3450	15	3P 208VAC	15	38.5A	N/A	#10-32 SCREW	6 AWG	FOR 2" CONDUIT QTY 4	¼"-20 STUD ON ⅝" CENTER QTY 12	23.6	25.25	84	753	
S4	SPS RECTIFIER BAY, 208VAC, THREE RECTIFIERS PER FEED, INPUT BREAKERS, 2760A OUTPUT POWERPACK RECTIFIER BAY, QTY 12 RECTIFIER POSITIONS, 3 PHASE 208VAC AC FEED, EACH RECTIFIER IS CONFIGURED WITH ONE 3-POLE 60A AC BREAKER RATED 65KA FOR INTERRUPTING CAPACITY. THREE RECTIFIERS PER AC FEED, TOTAL 4 AC FEEDS, EVERY AC FEED INCLUDES TWO ¼"-20 STUDS ON ⅝" CENTER,	-48	2760	12	3P 208VAC	4	115.5A	3P 60A BREAKER (65KAIC) QTY 12	¼"-20 STUDS ON ⅝" CENTER	1/0 AWG	FOR 2" CONDUIT QTY 4	¼"-20 STUD ON ⅝" CENTER QTY 12	23.6	25.25	84	753	

TABLE 2B 480VAC INPUT RECTIFIER BAY

GROUP NUMBER	DESCRIPTION	NOMINAL OUTPUT VOLTAGE (VDC)	MAX. CURRENT @NOMINAL OUTPUT VOLTAGE	RECTIFIER POSITIONS	AC INPUT PANEL								WIDTH (IN)	DEPTH (IN)	HEIGHT (IN)	EST. WEIGHT (WITHOUT RECTIFIER) (LBS)	NOTE
					AC VOLTAGE (VAC)	AC INPUT FEED	MAX. AC INPUT CURRENT PER FEED	INPUT BREAKER RATING AND QTY	AC TERMINAL STYLE	MAX. WIRE SIZE	AC KNOCKOUT	GROUND STUD					
S5	SPS RECTIFIER BAY, 480VAC, INDIVIDUAL FEED TERMINAL BLOCKS, 3450A OUTPUT POWERPACK RECTIFIER BAY, QTY 15 RECTIFIER POSITIONS, 3 PHASE 480VAC AC FEED, ONE RECTIFIER PER AC FEED, TOTAL 15 AC FEEDS, EVERY AC FEED INCLUDES 3 TERMINAL BLOCKS, EVERY TERMINAL BLOCK ACCEPTS MAX. 4 AWG CABLE	-48	3450	15	3P 480VAC	15	16.5A	N/A	COMPRESSION TERMINAL	4 AWG	FOR 1.5" CONDUIT QTY 8	¼"-20 STUD ON ⅝" CENTER QTY 12	23.6	25.25	84	753	
S6	SPS RECTIFIER BAY, 480VAC, TWO RECTIFIERS PER FEED, TERMINAL BLOCKS, 3450A OUTPUT POWERPACK RECTIFIER BAY, QTY 15 RECTIFIER POSITIONS, 3 PHASE 480VAC AC FEED, TWO RECTIFIERS PER AC FEED, TOTAL 8 AC FEEDS, EVERY AC FEED INCLUDES 3 TERMINAL BLOCKS, EVERY TERMINAL BLOCK ACCEPTS MAX. 1/0 AWG CABLE	-48	3450	15	3P 480VAC	8	33A	N/A	COMPRESSION TERMINAL	1/0 AWG	FOR 1.5" CONDUIT QTY 8	¼"-20 STUD ON ⅝" CENTER QTY 12	23.6	25.25	84	753	
S7	SPS RECTIFIER BAY, 480VAC, INDIVIDUAL FEED, SINGLE HOLE LUG, 3450A OUTPUT POWERPACK RECTIFIER BAY, QTY 15 RECTIFIER POSITIONS, 3 PHASE 480VAC AC FEED, ONE RECTIFIER PER AC FEED, TOTAL 15 AC FEEDS, EVERY AC FEED INCLUDES 3 #10-32 SCREWS	-48	3450	15	3P 480VAC	15	16.5A	N/A	#10-32 SCREW	6 AWG	FOR 2" CONDUIT QTY 4	¼"-20 STUD ON ⅝" CENTER QTY 12	23.6	25.25	84	753	
S8	SPS RECTIFIER BAY, 480VAC, SIX RECTIFIERS PER FEED, INPUT BREAKERS, 2760A OUTPUT POWERPACK RECTIFIER BAY, QTY 12 RECTIFIER POSITIONS, 3 PHASE 480VAC AC FEED, EACH RECTIFIER IS CONFIGURED WITH ONE 3-POLE 30A AC BREAKER RATED 22KA FOR INTERRUPTING CAPACITY. SIX RECTIFIERS PER AC FEED, TOTAL 2 AC FEEDS, EVERY AC FEED INCLUDES TWO ¼"-20 STUDS ON ⅝" CENTER,	-48	2760	12	3P 480VAC	2	99A	3P 30A BREAKER (22KAIC) QTY 12	¼"-20 STUDS ON ⅝" CENTER	1/0 AWG	FOR 2" CONDUIT QTY 4	¼"-20 STUD ON ⅝" CENTER QTY 12	23.6	25.25	84	753	
S8A	SPS RECTIFIER BAY, 480VAC, THREE RECTIFIERS PER FEED, INPUT BREAKERS, 2760A OUTPUT POWERPACK RECTIFIER BAY, QTY 12 RECTIFIER POSITIONS, 3 PHASE 480VAC AC FEED, EACH RECTIFIER IS CONFIGURED WITH ONE 3-POLE 30A AC BREAKER RATED 22KA FOR INTERRUPTING CAPACITY. THREE RECTIFIERS PER AC FEED, TOTAL 4 AC FEEDS, EVERY AC FEED INCLUDES TWO ¼"-20 STUDS ON ⅝" CENTER,	-48	2760	12	3P 480VAC	4	49.5A	3P 30A BREAKER (22KAIC) QTY 12	¼"-20 STUDS ON ⅝" CENTER	1/0 AWG	FOR 2" CONDUIT QTY 4	¼"-20 STUD ON ⅝" CENTER QTY 12	23.6	25.25	84	753	

- NOTE:**
- AC PANEL HAS TWO TOP COVERS IN EVERY RECTIFIER BAY. ONE WITH CONDUIT KNOCKOUTS (FOR THE KNOCKOUT INFORMATION, SEE THE TABLE ABOVE FOR DETAILS). THE OTHER IS SOLID, IT CAN BE DRILLED AND PUNCHED TO ACCOMMODATE UP TO FOUR 2.5" DIAMETER CONDUITS OR UP TO TWO 4" DIAMETER CONDUITS.
 - AVAILABLE LUGS FOR AC CONNECTION:

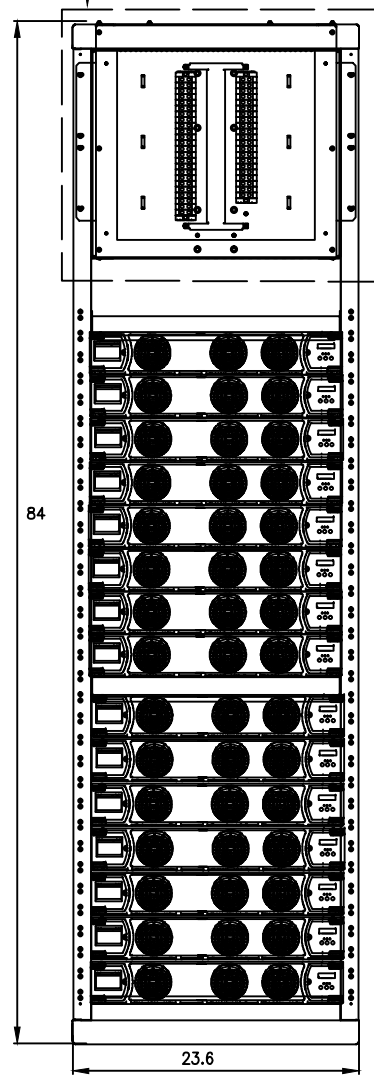
PART NUMBER	DESCRIPTION	WIRE SIZE (CLASS B)	COMPATIBLE RECTIFIER BAY	NOTE
290722	LUG ONE-HOLE STD #6 AWG, #8-10 BOLT	6 AWG	S3, S7	
290723	LUG ONE-HOLE STD #8 AWG, #8-10 BOLT	8 AWG	S3, S7	
290725	LUG ONE-HOLE STD #14-10 AWG, #8-10 BOLT	10 AWG	S3, S7	
292039	LUG 2 HOLES, 1/4" ON 5/8" CENTER, 1/0AWG	1/0 AWG	S4, S8, S8A	
YAV6CL2TC14FX	LUG, 2 HOLES, 1/4" ON 5/8" CENTER, 6 AWG,	6 AWG	ALL	FOR AC GROUNDING
54850BE	LUG, 2 HOLES, 1/4" ON 5/8" CENTER, 8 AWG	8 AWG	ALL	FOR AC GROUNDING

ELTEK VALERE CONFIDENTIAL & PROPRIETARY – USE PURSUANT TO COMPANY INSTRUCTION
 UNLESS OTHERWISE SPECIFIED, ALL DIMENSIONS ARE IN INCHES
 UNLESS OTHERWISE SPECIFIED, ALL LINEAR DIMENSIONAL TOLERANCES ARE ±.015

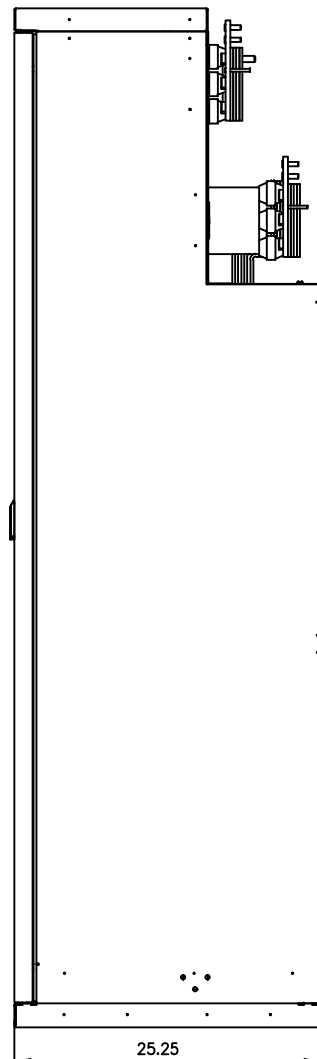
DESCRIPTION OF CHANGE PER ECO NO.		
NEW DRAWING RELEASE		
ENGINEER Franky Huang	ENG. 10-06-14	 ELTEK always on
DRAFTER FMH	DRAWN	
APPROVED	IFS	CAD AUTOCAD
ASSEMBLY DRAWING		
SCALABLE RECTIFIER BAY PRODUCT GUIDE		
RECTIFIER BAY GROUP		
DRAWING ISSUE DATE		
SECTION 2.0		
DRAWING NUMBER 2110965		

SECTION 2.0-CONTINUED RECTIFIER BAY

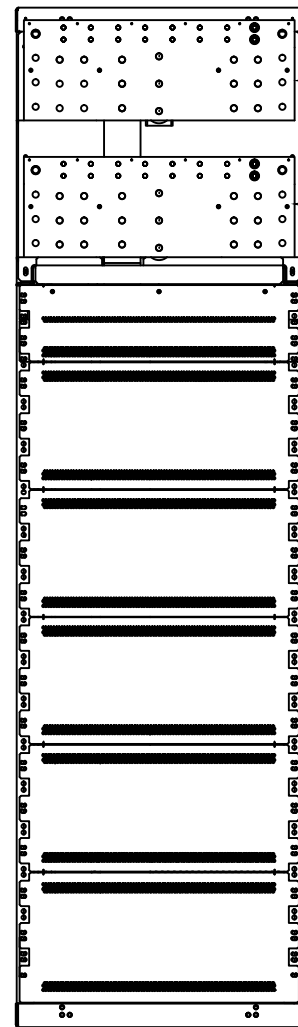
AC INPUT PANEL POSITION
SEE "S1, S2, S5, S6 AC INPUT PANEL", "S4 OR S8 AC INPUT PANEL"
AND "S3 OR S7 AC INPUT PANEL" FOR DETAIL



FRONT VIEW



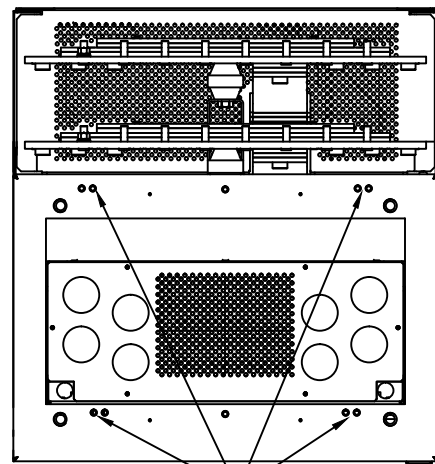
SIDE VIEW



BACK VIEW

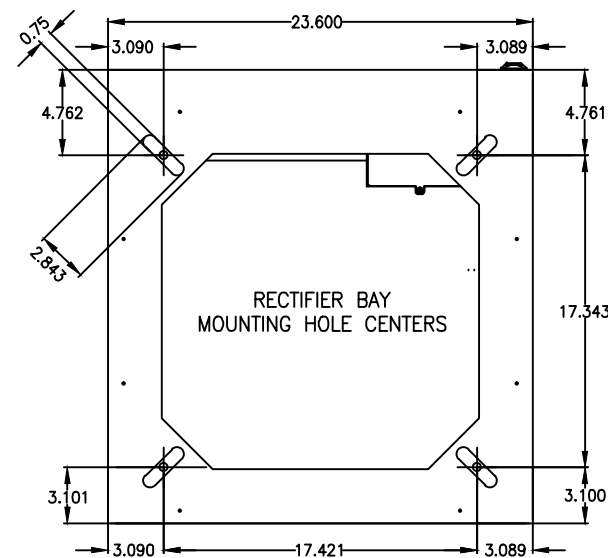
REAR BUS STRUCTURE-RETURN
(B1, B2, B3, SEE SECTION 3 FOR DETAIL)

REAR BUS STRUCTURE - HOT
(B1, B2, B3, SEE SECTION 3 FOR DETAIL)

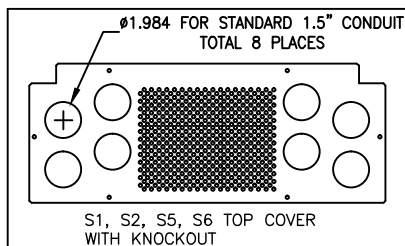


FRAME GROUND, EACH CONNECTION LANDING CONSISTS OF TWO HOLES WITH 1/4" DIAMETERS ON 3/8" CENTERS

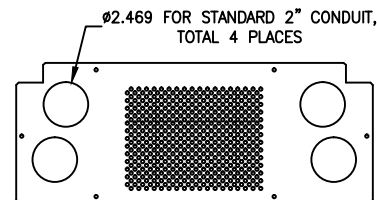
TOP VIEW



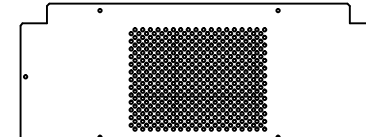
RECTIFIER BAY FOOTPRINT



S1, S2, S5, S6 TOP COVER WITH KNOCKOUT



S3, S4, S7, S8, S8A TOP COVER WITH KNOCKOUT

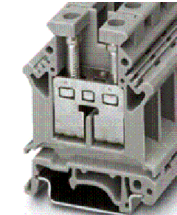


BLANK TOP COVER

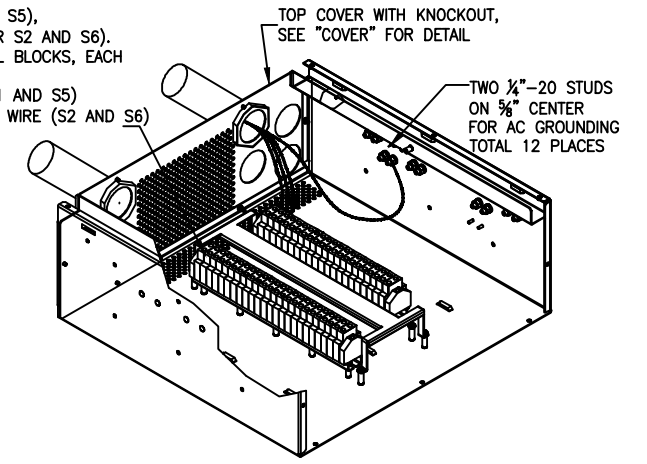
NOTE: AC PANEL HAS TWO TOP COVERS IN EVERY RECTIFIER BAY. ONE WITH CONDUIT KNOCKOUTS, THE OTHER IS SOLID, AND IT IS SPARE, IT CAN BE DRILLED AND PUNCHED TO ACCOMMODATE UP TO FOUR 2.5" DIAMETER CONDUITS OR UP TO TWO 4" DIAMETER CONDUITS.

INDIVIDUAL AC FEED, TOTAL 15 FEEDS (FOR S1 AND S5),
TWO RECTIFIERS PER AC FEED, TOTAL 8 FEEDS (FOR S2 AND S6).
EVERY AC FEED INCLUDES 3 COMPRESSION TERMINAL BLOCKS, EACH
TERMINAL BLOCK ACCEPTS:

- FOR INDIVIDUAL AC FEED, MAX. 4 AWG WIRE (S1 AND S5)
- FOR TWO RECTIFIERS PER FEED, MAX. 1/0 AWG WIRE (S2 AND S6)

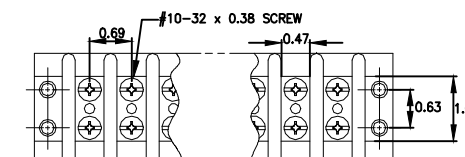


TERMINAL BLOCK

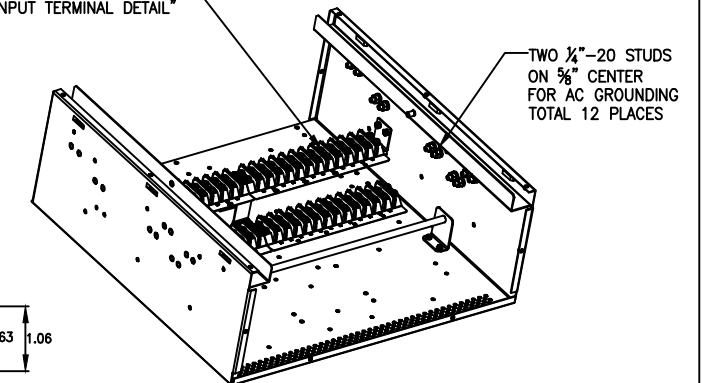


S1, S2, S5, S6 AC INPUT PANEL

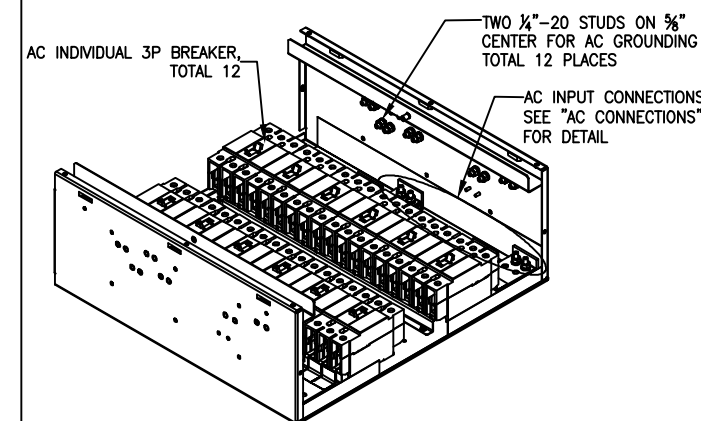
SCREW TERMINALS, TOTAL 45,
EACH TERMINAL HAS ONE #10-32 SCREW, ACCEPTS MAX. 6 AWG WIRE
SEE "INPUT TERMINAL DETAIL"



INPUT TERMINAL DETAIL

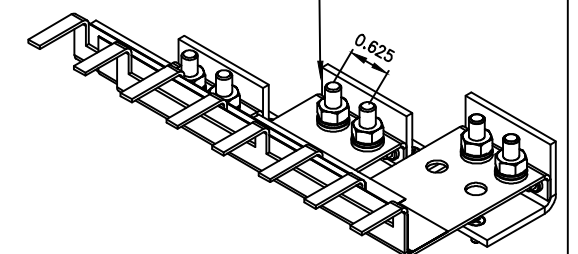


S3 OR S7 AC INPUT PANEL



S4, S8 OR S8A AC INPUT PANEL

AC CONNECTION LANDINGS, EACH LANDING CONSISTS OF TWO 1/4"-20 STUDS ON 3/8" CENTER FOR AC GROUNDING TOTAL 12 PLACES



S4, S8 OR S8A AC CONNECTIONS DETAIL

ELTEK VALERE CONFIDENTIAL & PROPRIETARY - USE PURSUANT TO COMPANY INSTRUCTION
UNLESS OTHERWISE SPECIFIED, ALL DIMENSIONS ARE IN INCHES
UNLESS OTHERWISE SPECIFIED, ALL LINEAR DIMENSIONAL TOLERANCES ARE ±0.015

DESCRIPTION OF CHANGE PER ECO NO.
NEW DRAWING RELEASE

ENGINEER Franky Huang	ENG. 10-06-14
DRAFTER FMH	DRAWN
APPROVED	IFS



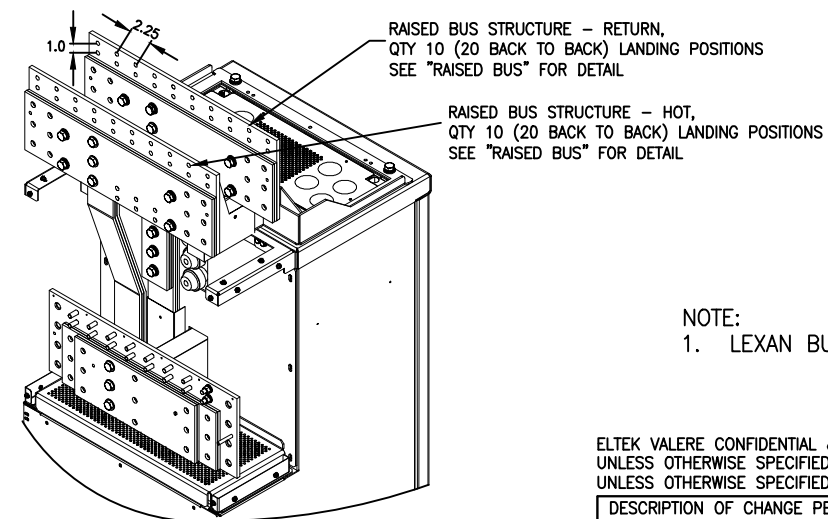
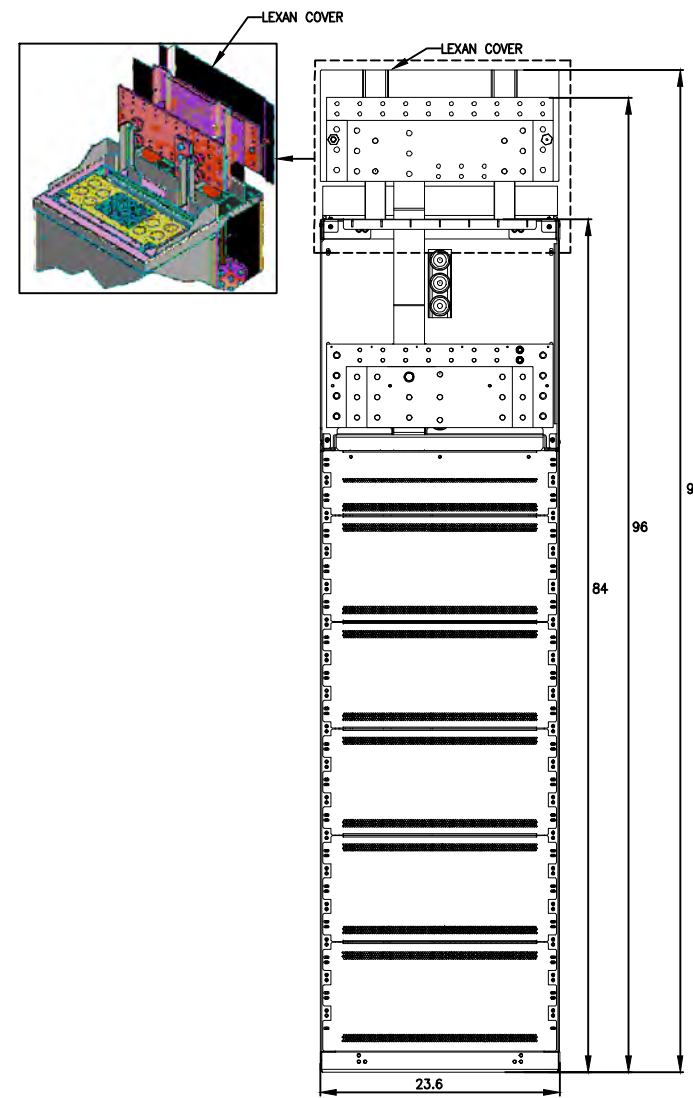
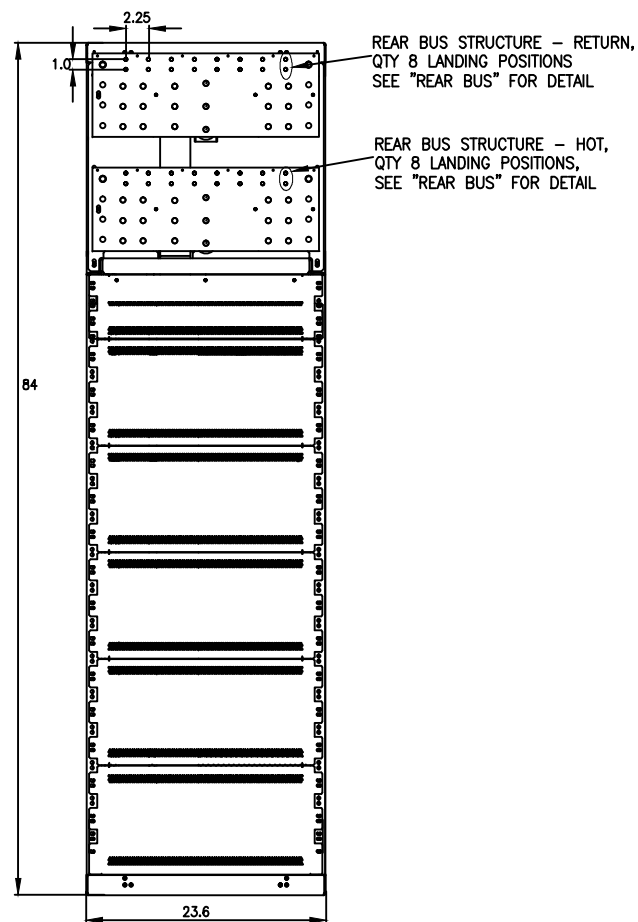
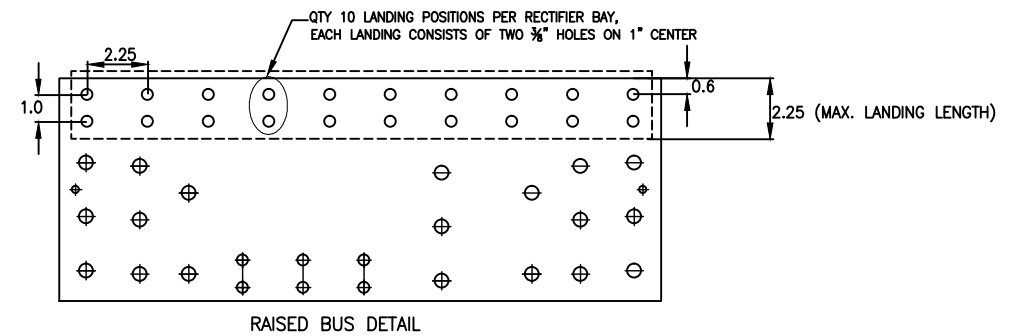
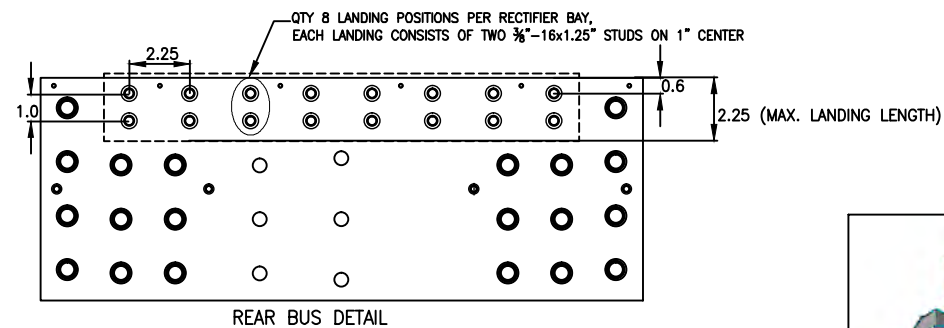
ASSEMBLY DRAWING SCALABLE RECTIFIER PRODUCT GUIDE RECTIFIER BAY GROUP
DRAWING ISSUE DATE
SECTION 2.0-CONTINUED
DRAWING NUMBER 2110965

NOTE:

1. DOOR IS REMOVED FOR CLARITY
2. REAR BUS STRUCTURE IS SHOWN IN THE ABOVE DRAWINGS, JUST FOR CLARITY

SECTION 3.0 REAR BUS STRUCTURE SELECTION

TABLE 3 REAR BUS STRUCTURE MUST SELECT ONE								
GROUP NUMBER	DESCRIPTION	STRUCTURE TYPE	CAPACITY (A)	# OF BULK/BATT OUTPUT HOT	# OF RETURN	ADD-ON HEIGHT ON RECT. BAY (IN)	EST. WEIGHT (LBS)	NOTE
B1	3KA REAR BUS STRUCTURE INCLUDES: 3KA HOT AND RETURN BUSES, QTY 8 CONNECTION LANDINGS ON BOTH BUSES, EACH LANDING INCLUDES TWO 3/8"-16x1.25" STUDS ON 1" CENTER	REAR	3,000	8 (3/8"-16x1.25" STUDS ON 1" CENTER)	8 (3/8"-16x1.25" STUDS ON 1" CENTER)	0	44	
B2	6KA REAR BUS STRUCTURE INCLUDES: 6KA HOT AND RETURN BUSES, QTY 8 CONNECTION LANDINGS, EACH LANDING INCLUDES TWO 3/8"-16x1.25" STUDS ON 1" CENTER	REAR	6,000	8 (3/8"-16x1.25" STUDS ON 1" CENTER)	8 (3/8"-16x1.25" STUDS ON 1" CENTER)	0	80	
B3	10KA REAR BUS STRUCTURE INCLUDES: 10KA HOT AND RETURN BUSES, QTY 8 CONNECTION LANDINGS, EACH LANDING INCLUDES TWO 3/8"-16x1.25" STUDS ON 1" CENTER	REAR	10,000	8 (3/8"-16x1.25" STUDS ON 1" CENTER)	8 (3/8"-16x1.25" STUDS ON 1" CENTER)	0	108	
B4	RAISED 3KA BUS STRUCTURE INCLUDES: 3KA HOT AND RETURN BUSES, QTY 10 (20 BACK TO BACK) CONNECTION LANDINGS ON BOTH BUSES, EACH LANDING INCLUDES TWO 3/8" HOLES ON 1" CENTER	RAISED	3,000	10 (20 BACK TO BACK) (3/8" HOLES ON 1" CENTER)	10 (20 BACK TO BACK) (3/8" HOLES ON 1" CENTER)	15	52	
B5	RAISED 6KA BUS STRUCTURE INCLUDES: 6KA HOT AND RETURN BUSES, QTY 10 (20 BACK TO BACK) CONNECTION LANDINGS ON BOTH BUSES, EACH LANDING INCLUDES TWO 3/8" HOLES ON 1" CENTER	RAISED	6,000	10 (20 BACK TO BACK) (3/8" HOLES ON 1" CENTER)	10 (20 BACK TO BACK) (3/8" HOLES ON 1" CENTER)	15	114	
B6	RAISED 10KA BUS STRUCTURE INCLUDES: 10KA HOT AND RETURN BUSES, QTY 10 (20 BACK TO BACK) CONNECTION LANDINGS ON BOTH BUSES, EACH LANDING INCLUDES TWO 3/8" HOLES ON 1" CENTER	RAISED	10,000	10 (20 BACK TO BACK) (3/8" HOLES ON 1" CENTER)	10 (20 BACK TO BACK) (3/8" HOLES ON 1" CENTER)	15	164	



NOTE:
1. LEXAN BUS COVERS ARE REMOVED FOR CLARITY

ELTEK VALERE CONFIDENTIAL & PROPRIETARY - USE PURSUANT TO COMPANY INSTRUCTION
UNLESS OTHERWISE SPECIFIED, ALL DIMENSIONS ARE IN INCHES
UNLESS OTHERWISE SPECIFIED, ALL LINEAR DIMENSIONAL TOLERANCES ARE ±.015

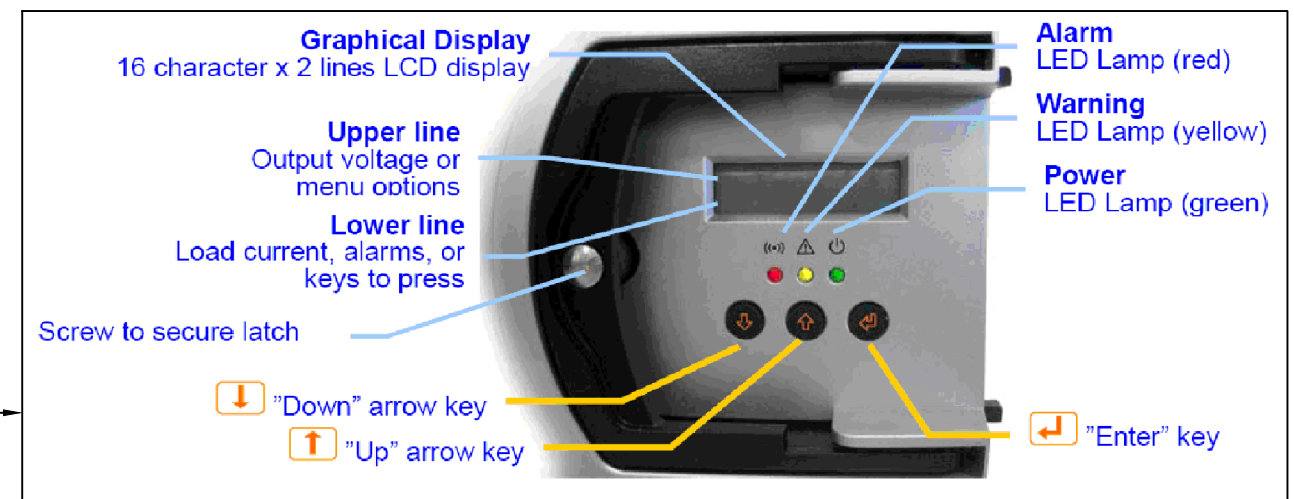
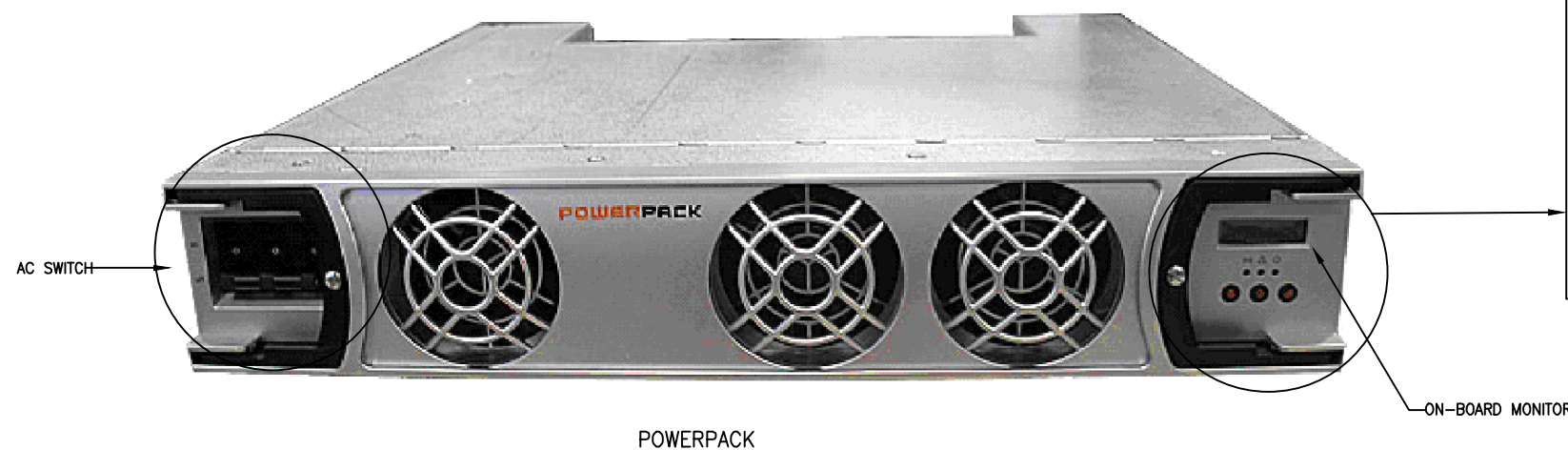
DESCRIPTION OF CHANGE PER ECO NO.		
NEW DRAWING RELEASE		
ENGINEER Franky Huang	ENG. 06-14-13	ELTEK always on
DRAFTER FMH	DRAWN	
APPROVED	IFS	CAD AUTOCAD
ASSEMBLY DRAWING SCALABLE RECTIFIER BAY PRODUCT GUIDE REAR BUS STRUCTURE		
DRAWING ISSUE DATE		
SECTION 3.0		
DRAWING NUMBER 2110965		

SECTION 4.0 RECTIFIERS

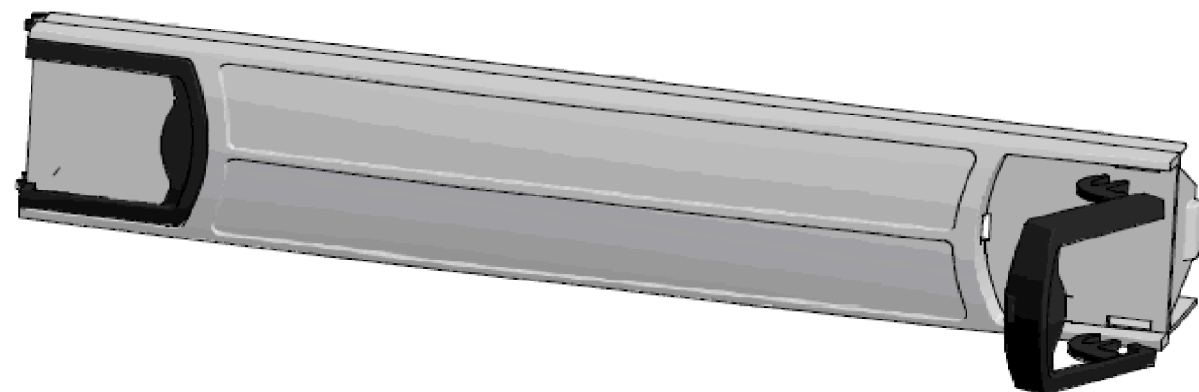
TABLE 4 POWERPACK RECTIFIERS

PART NUMBER *	DESCRIPTION	AC RATED VOLTAGE & INPUT RANGE (VAC)	MAX. INPUT CURRENT (A)	OUTPUT VOLTAGE & RANGE (VDC)	OUTPUT POWER (W) @NOMINAL INPUT	OUTPUT CURRENT(A) @55VDC	EFFICIENCY	AGENCY APPROVAL	WIDTH (IN)	DEPTH (IN)	HEIGHT (RU)	APPLICABLE SHELVES	APPROXIMATE WEIGHT (LBS)	BTU/HR AT NOMINAL INPUT	CLEI / CPR	NOTE
241246.100 241246.100.VC	POWERPACK RECTIFIER 48VDC/11000W OUTPUT, 208VAC 3 PHASE INPUT 180-264VAC 3 PHASE INPUT RANGE; FAN COOLED (FRONT TO BACK); 93% EFFICIENCY; OPERATING TEMPERATURE -10 TO +70°C; ABOVE +55°C, REDUCED OUTPUT POWER. WEIGHT 42.4LBS. THERMAL: 4016 BTU/HR	208VAC, 3 PHASE 180-264VAC	38.5	48 VDC 43-58.5 VDC	11000	200	>93%	UL, NEBS RoHS COMPLIANT	19.53	18.90	3.35	ALL	40.8	1506 @ 50% LOAD 3808 @ 100% LOAD	YES	
241246.000 241246.000.VC	POWERPACK RECTIFIER 48VDC/11000W OUTPUT, 480VAC 3 PHASE INPUT 260-550VAC 3 PHASE INPUT RANGE; FAN COOLED (FRONT TO BACK); 260-430VAC: LINEAR POWER REDUCTION; 94% EFFICIENCY; OPERATING TEMPERATURE -10 TO +70°C; ABOVE +55°C, REDUCED OUTPUT POWER; WEIGHT 42.4LBS THERMAL: 3980 BTU/HR	480VAC, 3 PHASE 260-550VAC	16.5	48 VDC 43-58.5 VDC	11000	200	>94%	UL, NEBS RoHS COMPLIANT	19.53	18.90	3.35	ALL	40.8	1196 @ 50% LOAD 3482 @ 100% LOAD	YES	
220586	POWERPACK RECTIFIER BLIND FRONT	N/A	N/A	N/A	N/A	N/A	N/A	N/A	19.53	2	3.35	ALL	1	N/A	NO	


* CLEI VERSION PART NUMBER IS THE ONE WITH .VC



Level 2	Level 3
User menu <UserOption>	
Module Info →	OutVolt OutCurr NomVolt CurrLim Temp 1 Temp 2 InVolt 1 InVolt 2 InVolt 3
Product No	
Serial No	
SW Info 1	
SW Info 2	



ELTEK VALERE CONFIDENTIAL & PROPRIETARY – USE PURSUANT TO COMPANY INSTRUCTION
UNLESS OTHERWISE SPECIFIED, ALL DIMENSIONS ARE IN INCHES
UNLESS OTHERWISE SPECIFIED, ALL LINEAR DIMENSIONAL TOLERANCES ARE ±.015

DESCRIPTION OF CHANGE PER ECO NO.		
NEW DRAWING RELEASE		
ENGINEER Franky Huang	ENG. 06-14-13	
DRAFTER FMH	DRAWN	
APPROVED	IFS	CAD AUTOCAD
ASSEMBLY DRAWING		
SCALABLE RECTIFIER BAY PRODUCT GUIDE		
RECTIFIERS		
DRAWING ISSUE DATE		
SECTION 4.0		
DRAWING NUMBER 2110965		

SECTION 5.0 SMARTPACK2 CONTROLLER ACCESSORIES

TABLE 5A SMARTPACK2 CONTROLLER ACCESSORIES SELECT IF NECESSARY

PART NUMBER	DESCRIPTION	RELAY OUTPUT	CONFIGURABLE INPUT	CAN POWER OUTPUT/CONSUMPTION	AGENCY APPROVAL	WIDTH (IN)	DEPTH (IN)	HEIGHT (RU)	COMPATIBLE CONTROLLER	EST. WEIHT (LBS)	CLEI / CPR	NOTE
291134	A LOAD MONITOR KIT MONITORS A MAXIMUM OF 8 EXTERNAL SHUNTS AND 8 FUSE ALARM INPUTS (ACCEPTS MAX. 16AWG CABLE). A TOTAL OF 14 LOAD MONITOR MODULES CAN BE INSTALLED IN ONE SYSTEM. THE KIT CONTAINS: 1. LOAD MONITOR MODULE (242100.301.VC) 2. 30FT CAN CABLE 3. 1-DIN RAIL BRACKET (256562) 4. INSTALLATION GUIDE EACH LOAD MONITOR HAS 8 INPUTS DEDICATED TO MONITOR JUST ONE OF THE FOLLOWING: RECTIFIER CURRENT – FERRO/RECTIFIER SHUNTS ARE ADDED FOR TOTAL RECTIFIER CURRENT LOAD BAY CURRENT – DC LOAD FEEDS ARE ADDED FOR TOTAL LOAD CURRENT LOAD BRANCH CURRENT – USED TO MONITOR INDIVIDUAL BRANCH CIRCUIT CURRENTS (NOT FACTORED INTO SYSTEM CURRENT CALCULATIONS) NOTICE: SEPARATE LOAD MONITOR KITS ARE REQUIRED TO MEASURE EACH OF THE CURRENT TYPES ABOVE. INPUTS OF ONE LOAD MONITOR CANNOT BE ASSIGNED TO READ DIFFERENT CURRENT TYPES.	N/A	8 x CONFIGURABLE (FUSE FAILURE) 8 x CURRENT SENSE ACCEPTS MAX. 16AWG CABLE	120mA CONSUMPTION	CE, UL, NEBS RoHS COMPLIANT	6.12	2.78	1.22	C1	1	N/A	1. SEE "291134 SCHEMATIC" FOR DETAIL 2. SEE TABLE 5K FOR MOUNTING BRACKET DETAIL
230700	BATTERY MONITOR CAN BUS NODE KIT, BATTERY SYMMETRY MEASUREMENT, BATTERY TEMPERATURE MEASUREMENT, BATTERY FUSE ALARM INPUT, BATTERY CURRENT INPUT INCLUDES: BATTERY MONITOR NODE (242100.300), QTY 4 1.5M SYMMETRY CABLES, QTY 1 10M CAN BUS CABLE	N/A	4 x SYMMETRY VOLT, 1 x FUSE FAILURE DETECT, 1 x CURRENT SENSOR	90mA CONSUMPTION	CE, UL RoHS COMPLIANT	2.83	2.13	0.98	C1	1	N/A	
242100.303.VC	CAN POWER MODULE – PROVIDES INSOLATED OR ADDITIONAL CAN BUS POWER, OUTPUT ±15V, 500mA, DUAL RJ45 CONNECTORS – COMPRESSION TERMINAL BLOCK FOR POWER INPUT, ACCEPTS MAX. 12AWG CABLE	N/A	N/A	500mA OUTPUT, DUAL RJ45 CONNECTORS	CE, UL RoHS COMPLIANT	5.23	4.25	1.59	C1	1	YES	

TABLE 5B SMARTPACK2 CONTROLLER SPARE PARTS

PART NUMBER	DESCRIPTION	RELAY OUTPUT	CONFIGURABLE INPUT	CAN POWER OUTPUT/CONSUMPTION	AGENCY APPROVAL	WIDTH (IN)	DEPTH (IN)	HEIGHT (RU)	COMPATIBLE CONTROLLER	EST. WEIHT (LBS)	CLEI / CPR	NOTE
242100.500.VC	SMARTPACK2 MASTER CONTROLLER WITH DISPLAY POWERED BY CAN BUS, WITH ETHERNET PORT, AND 32K COLOR TFT DISPLAY	N/A	N/A	300mA CONSUMPTION	CE, UL, NEBS RoHS COMPLIANT	6.4	1.6	3	C1	1	YES	SEE SECTION 1 FOR DETAIL
242100.601.VC	SMARTPACK2 BASIC INDUSTRIAL CONTROLLER SUITABLE FOR SYSTEM WITH NEGATIVE, POSITIVE AND FLOATING DC DISTRIBUTION –QTY 2 SEPARATE CAN BUS WITH DISTRIBUTED POWER FOR CONNECTED CAN DEVICES –HANDLES LVD CONTROL, TAKES CONTROL OF CRITICAL SYSTEM FUNCTIONS –PROVIDES QTY 3 TEMPERATURE SENSE INPUTS, QTY 3 RELAY OUTPUTS (MAX. 16AWG CABLE)	QTY 3 (MAX. 16AWG CABLE)	QTY 3 NO/NC/TEMPERATURE (NTC PROBE) (MAX. 16AWG CABLE)	500mA OUTPUT DUAL RJ45 TERMINALS	CE, UL RoHS COMPLIANT	5.75	5.75	1.75	C1	1	YES	SEE SECTION 1 FOR DETAIL
242100.502.VC	I/O MONITOR2 MODULE, POWERED BY CAN BUS, – QTY 6 CONFIGURABLE INPUTS AND 6 CONFIGURABLE RELAY OUTPUTS (MAX. 16AWG CABLE)	QTY 6 (MAX. 16AWG CABLE)	6 CONFIGURABLE INPUTS (MAX. 16AWG CABLE)	160mA CONSUMPTION	CE, UL RoHS COMPLIANT	5.4	2.3	1.2	C1	0.5	YES	SEE SECTION 1 FOR DETAIL
242100.300.VC	BATTERY MONITOR CAN BUS NODE POWERED BY CAN BUS, 4 VOLTAGE MEASUREMENT INPUTS FOR BATTERY SYMMETRY MONITORING, 1 BATTERY SHUNT INPUT, 1 BATTERY FUSE ALARM INPUT AND EMBEDDED TEMPERATURE SENSOR (MAX. 16AWG CABLE)	N/A	4 x SYMMETRY VOLT, 1 x FUSE FAILURE DETECT, 1 x CURRENT SENSOR (MAX. 16AWG CABLE)	90mA CONSUMPTION	CE, UL RoHS COMPLIANT	2.83	2.13	0.98	C1	0.5	YES	

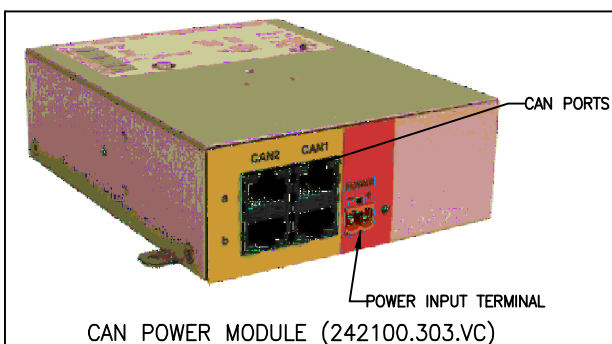
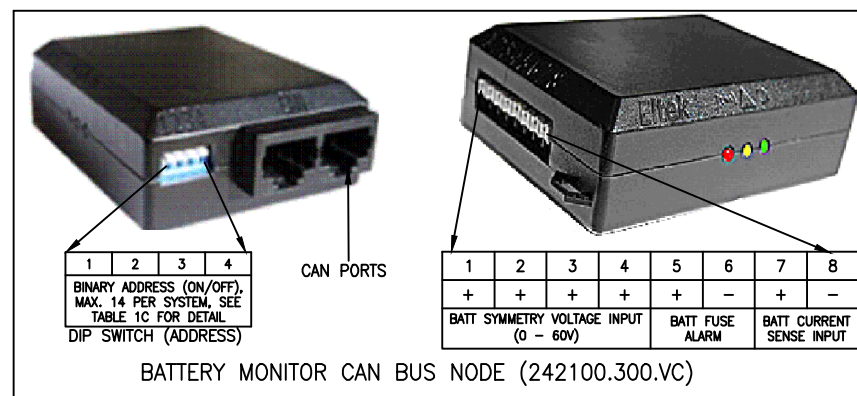
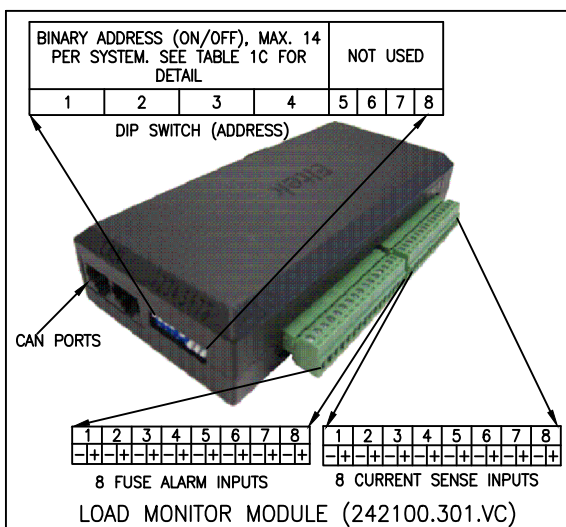
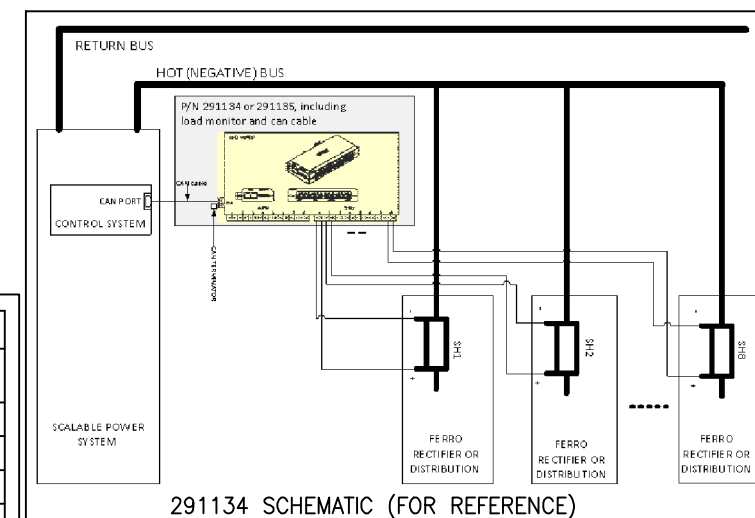
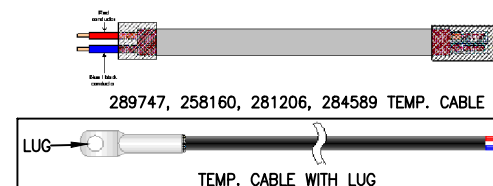


TABLE 5C SMARTPACK2 CABLES ACCESSORIES

PART NUMBER	DESCRIPTION	LENGTH (M)	NOTE
105681	CAN END TERMINATION PLUG	N/A	
256374	CAN BUS CABLE 30M G1 (RJ45)	30	
259230	CAN BUS CABLE 15M G1 (RJ45)	15	
230703	CAN BUS CABLE_10M G1	10	

TABLE 5M SMARTPACK2 TEMPERATURE SENSE CABLE

PART NUMBER	DESCRIPTION	LENGTH (FT)	NOTE
289747	TEMP SENSE CABLE, 470K NTC, 5FT	5	
258160	TEMP SENSE CABLE, 470K NTC, 10FT	10	
281206	TEMP SENSE CABLE, 470K NTC, 33FT	33	
284589	TEMP SENSE CABLE, 470K NTC, 100FT	100	
287333	TEMP SENSE CABLE, 470K NTC, 10FT, M8 LUG	10	
303618	TEMP SENSE CABLE, 470K NTC 33FT, M8 LUG	33	
303619	TEMP SENSE CABLE, 470K NTC 98FT, M8 LUG	98	
303620	TEMP SENSE CABLE, 470K NTC 10FT, 1/4" LUG	10	
303621	TEMP SENSE CABLE, 470K NTC 33FT, 1/4" LUG	33	
303622	TEMP SENSE CABLE, 470K NTC 98FT, 1/4" LUG	98	



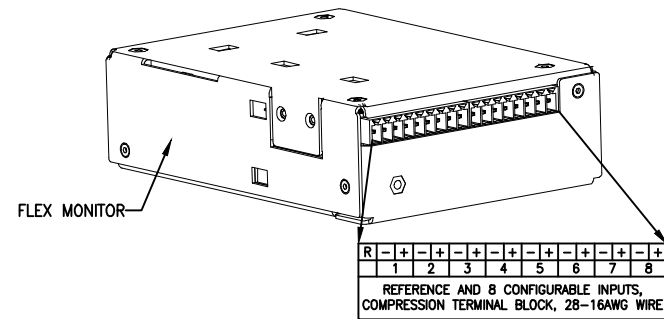
ELTEK VALERE CONFIDENTIAL & PROPRIETARY – USE PURSUANT TO COMPANY INSTRUCTION UNLESS OTHERWISE SPECIFIED, ALL DIMENSIONS ARE IN INCHES UNLESS OTHERWISE SPECIFIED, ALL LINEAR DIMENSIONAL TOLERANCES ARE ±.015

DESCRIPTION OF CHANGE PER ECO NO.		
NEW DRAWING RELEASE		
ENGINEER Franky Huang	ENG. 12-16-11	ELTEK always on
DRAFTER FMH	DRAWN	
APPROVED	IFS	CAD AUTOCAD
ASSEMBLY DRAWING SCALABLE RECTIFIER BAY PRODUCT GUIDE SMARTPACK2 CONTROLLER ACCESSORIES		
DRAWING ISSUE DATE		
SECTION 5.0		
DRAWING NUMBER		2110965

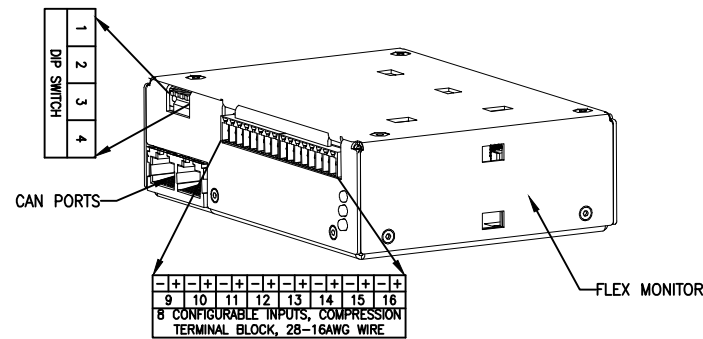
SECTION 5.0—CONTINUED SMARTPACK2 CONTROLLER ACCESSORIES

TABLE 5N FLEX MONITOR

PART NUMBER	DESCRIPTION	RELAY OUTPUTS	CONFIGURABLE INPUTS	CAN POWER OUTPUT/CONSUMPTION	AGENCY APPROVAL	WIDTH (IN)	DEPTH (IN)	HEIGHT (RU)	COMPATIBLE CONTROLLER	EST. WEIGHT (LBS)	CLEI / CPR	NOTE
242100.603	FLEXIMONITOR, PROVIDES QTY 16 CONFIGURABLE INPUTS PER UNIT (UP TO 14 UNITS IN ONE CONTROL SYSTEM), THE INPUTS CAN BE USED AS: - VOLTAGE / SYMMETRY INPUT, VOLT RANGE : -280VDC TO +280VDC; VOLT RESOLUTION 10mVDC - CURRENT SHUNT INPUT, SHUNT RANGE: -100mV TO 100mV, SHUNT RESOLUTION 4.0μVDC - FUSE ALARM SENSE INPUT - TEMPERATURE SENSE INPUT, TEMPERATURE RANGE: -20 TO +700C - TACHO / PULSE SENSE INPUT, TACHO (PULSE SENSE) RANGE: 100 TO 11000 PPM CAN PROVIDE RELAY OUTPUTS WITH PLUG-IN RELAY EXTENSION BOARDS (PLUG-IN RELAY EXTENSION BOARD NOT INCLUDED)	N/A	QTY 16 COMPRESSION TERMINAL, MAX. 16AWG	MAX. 200mA CONSUMPTION	CE, UL RoHS COMPLIANT	4.53	3.31	1.32	C1	0.5	NO	WORKS WITH THE SYSTEM HAS ONE OR SEVERAL CONTROLLERS WITH THE FOLLOWING FIRMWARE VERSION OR HIGGHER: SMARTPACK2 MASTER (FW V. 2.3), SMARTPACK2 BASIC (FW V. 1.3), SMARTPACK2 BASIC INDUSTRIAL (FW V. 2.1), SMARTPACK S (FW V. 2.3.1)



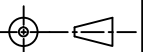
FLEX MONITOR ISO VIEW - 1



FLEX MONITOR ISO VIEW - 2

TABLE 5P SYMMETRY CABLES FOR BATTERY SYMMETRY VOLTAGE MEASUREMENT
(WHEN THESE CABLES WORK WITH FLEXIMONITR (242100.603) FOR SYMMETRY VOLTAGE MEASUREMENT, QTY 1 MORE CABLE IS NEEDED FOR THE REFERENCE)

PART NUMBER	DESCRIPTION	LENGTH (FT)	NOTE
200830	BATTERY SYMMETRY CABLE, BLACK, 1.5 METER LONG (4.9'), 60VDC - QTY 3 RING TERMINALS (Ø0.248", Ø0.331", Ø0.394") INCLUDED	4.9	
278797	BATTERY SYMMETRY CABLE, BLACK, 2.0 METER LONG (6.6'), 60VDC - QTY 3 RING TERMINALS (Ø0.248", Ø0.331", Ø0.394") INCLUDED	6.6	
208867	BATTERY SYMMETRY CABLE, BLACK, 2.5 METER LONG (8.2'), 60VDC - QTY 3 RING TERMINALS (Ø0.248", Ø0.331", Ø0.394") INCLUDED	8.2	
334180	BATTERY SYMMETRY CABLE, BLACK, 5.0 METER LONG (16.4'), 60VDC - QTY 3 RING TERMINALS (Ø0.248", Ø0.331", Ø0.394") INCLUDED	16.4	
302353	BATTERY SYMMETRY CABLE, BLACK, 15.0 METER LONG (49.2'), 60VDC - QTY 3 RING TERMINALS (Ø0.248", Ø0.331", Ø0.394") INCLUDED	49.2	
334494	BATTERY SYMMETRY CABLE, BLACK, 2.0 METER LONG (6.6'), 220VDC - QTY 3 RING TERMINALS (Ø0.248", Ø0.331", Ø0.394") INCLUDED	6.6	
285674	BATTERY SYMMETRY CABLE, BLACK, 3.0 METER LONG (9.8'), 220VDC - QTY 3 RING TERMINALS (Ø0.248", Ø0.331", Ø0.394") INCLUDED	9.8	



ELTEK VALERE CONFIDENTIAL & PROPRIETARY - USE PURSUANT TO COMPANY INSTRUCTION
UNLESS OTHERWISE SPECIFIED, ALL DIMENSIONS ARE IN INCHES
UNLESS OTHERWISE SPECIFIED, ALL LINEAR DIMENSIONAL TOLERANCES ARE ±.015

DESCRIPTION OF CHANGE PER ECO NO.		
NEW DRAWING RELEASE		
ENGINEER Franky Huang	ENG. 10-19-14	
DRAFTER FMH	DRAWN	
APPROVED	IFS	CAD AUTOCAD
ASSEMBLY DRAWING		
SCALABLE RECTIFIER BAY PRODUCT GUIDE		
SMARTPACK2 CONTROLLER ACCESSORIES		
DRAWING ISSUE DATE		
SECTION 5.0—CONTINUED		
DRAWING NUMBER		2110965

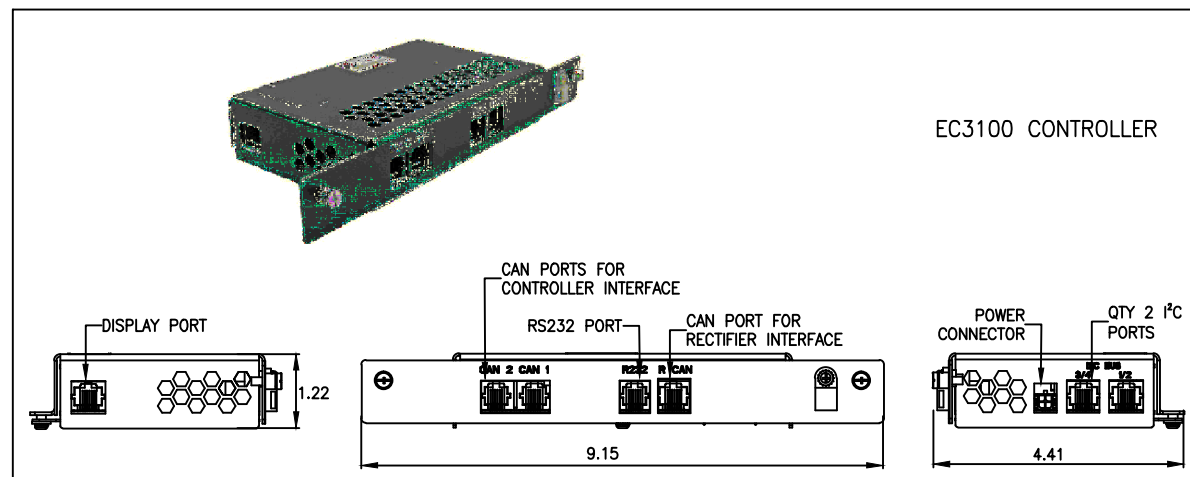
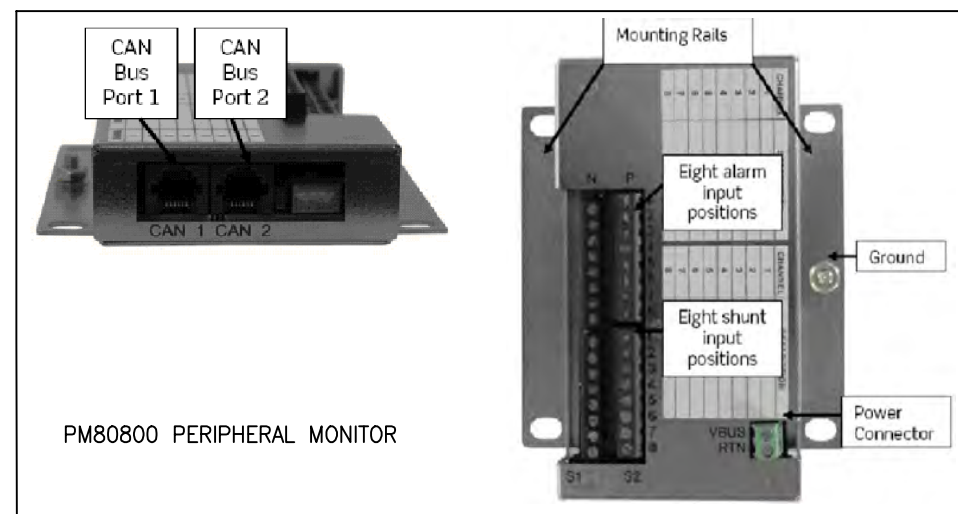
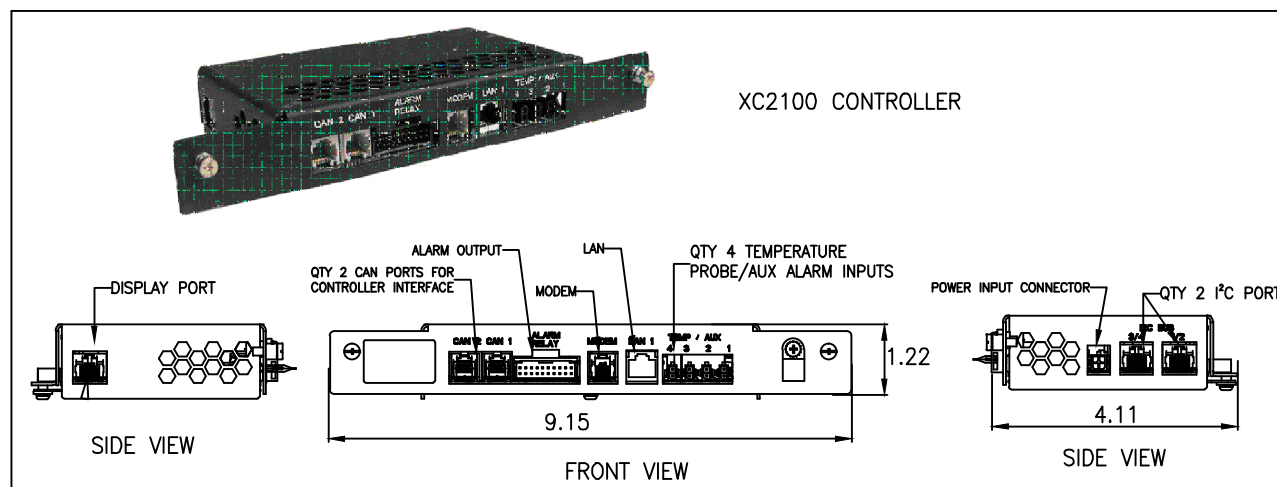
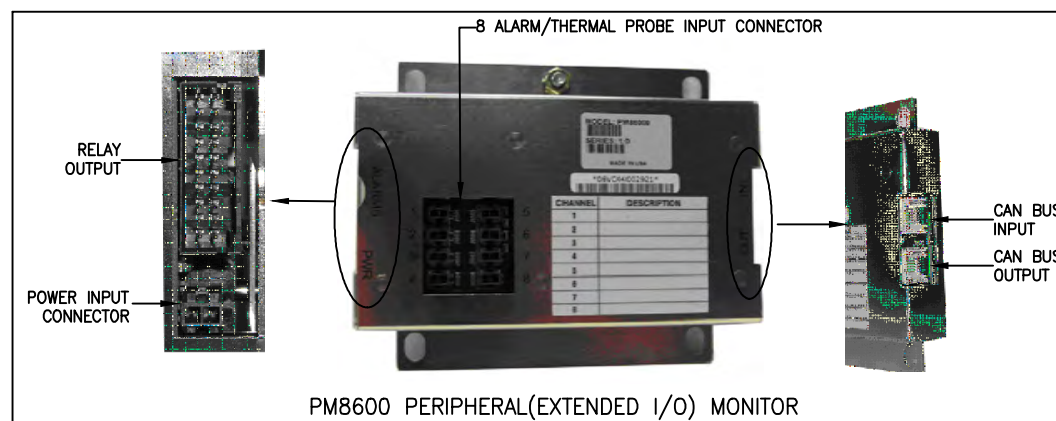
SECTION 5.1 XC CONTROLLER ACCESSORIES

TABLE 5D CONTROLLER ACCESSORIES

PART NUMBER	DESCRIPTION	RELAY OUTPUT	CONFIGURABLE INPUT	WIDTH (IN)	DEPTH (IN)	HEIGHT (IN)	COMPATIBLE CONTROLLER	APPROXIMATE WEIGHT (LBS)	CLEI / CPR	NOTE
PM86000	PERIPHERAL MONITORING IT EXTENDS SYSTEM MONITORING BY PROVIDING 8 INPUT PORTS (FOR ALARMS OR THERMAL PROBES) AND 6 FORM-C OUTPUT ALARM RELAYS INCLUDING: MONITORING DEVICE, POWER CABLE, 10' CAN CABLE, CAN TERMINATOR AND HARDWARE KIT	6 RELAY OUTPUT	8 INPUT PORT FOR ALARMS OR THERMAL PROBES	5.4	4.3	1	C2	1.5	NO	MAX. 16 IN ONE POWER SYSTEM COME WITH 10' CAN CABLE, SEE TABLE 6E FOR DIFFERENT LENGTH CAN CABLES
PM80800	PERIPHERAL MONITOR 8-INPUT 8-SHUNT QTY 8 SHUNT INPUTS: CONFIGURABLE 25 - 100MV; QTY 8 INPUTS: FORM-C OR DIGITAL CONTROL INCLUDING: MONITORING DEVICE, POWER CABLE, 10' CAN CABLE, CAN TERMINATOR AND HARDWARE KIT	N/A	QTY 8 SHUNT INPUTS: CONFIGURABLE 25-100MV QTY 8 INPUTS: FORM-C OR DIGITAL CONTROL	5.4	4.3	1	C2	1.5	NO	MAX. 16 IN ONE POWER SYSTEM COME WITH 10' CAN CABLE, SEE TABLE 6E FOR DIFFERENT LENGTH CAN CABLES

TABLE 5E CONTROLLER SPARE PARTS

PART NUMBER	DESCRIPTION	RELAY OUTPUT	CONFIGURABLE INPUT	WIDTH (IN)	DEPTH (IN)	HEIGHT (IN)	COMPATIBLE CONTROLLER	APPROXIMATE WEIGHT (LBS)	CLEI / CPR	NOTE
XC2100-A01-10W	XC DIGITAL SYSTEM CONTROLLER 48VDC QTY 6 FORM-C ALARM RELAYS; QTY 4 INPUTS: FORM-C OR TEMP PROBE FULL WEB ACCESS, SNMP, TELNET	6	4	9.15	4.11	1.22	C2	2	NO	
EC3100	EC3100 POWER PACK INTERFACE CONTROLLER IT ENABLE XC CONTROLLER COULD CONTROL AND MONITOR CAN BUS RECTIFIERS	N/A	N/A	9.15	4.11	1.22	C2	2	NO	
XDSP2100	XC CONTROLLER DISPLAY KIT	N/A	N/A	N/A	N/A	N/A	C2	1	NO	



ELTEK VALERE CONFIDENTIAL & PROPRIETARY - USE PURSUANT TO COMPANY INSTRUCTION
UNLESS OTHERWISE SPECIFIED, ALL DIMENSIONS ARE IN INCHES
UNLESS OTHERWISE SPECIFIED, ALL LINEAR DIMENSIONAL TOLERANCES ARE ±.015

DESCRIPTION OF CHANGE PER ECO NO.		
NEW DRAWING RELEASE		
ENGINEER Franky Huang	ENG. 06-14-13	ELTEK always on
DRAFTER FMH	DRAWN	
APPROVED	IFS	CAD AUTOCAD
ASSEMBLY DRAWING		
SCALABLE RECTIFIER BAY PRODUCT GUIDE		
XC CONTROLLER ACCESSORIES		
DRAWING ISSUE DATE		
SECTION 5.1		
DRAWING NUMBER 2110965		

SECTION 5.1-CONTINUED XC CONTROLLER ACCESSORIES

TABLE 5F ALARM CABLES			
PART NUMBER	DESCRIPTION	CABLE LENGTH (FOOT)	NOTE
CA210203104	ALARM CABLE 10'	10	
CA210203105	ALARM CABLE 50'	50	
CA210203106	ALARM CABLE 100'	100	
CA210203881	ALARM CABLE, 200', 24AWG SOLID, AMP CONNECTOR	200	
CA210203976	ALARM CABLE, 300', 24AWG SOLID, AMP CONNECTOR	300	

J1 PIN DEFINITION					
J1 PIN #	WIRE COLOR	WIRE LABEL TEXT	J1 PIN #	WIRE COLOR	WIRE LABEL TEXT
10	OR/WHT	A-NC	18	TAN/WHT	F-NC
8	OR/BLK	A-NO	20	TAN/BLK	F-NO
12	RED/WHT	B-NC	9	OR	A-C
14	RED/BLK	B-NO	13	RED	B-C
15	GRN/WHT	C-MC	16	FRN	C-C
17	GRN/BLK	C-NO	3	LT BL	E-C
4	LT BL/WHT	E-NC	6	YLW	D-C
2	LT BL/BLK	C-NO	19	TAN	F-C
7	YLW/WHT	D-NC	1	WHT	NOT USED
5	YLW/BLK	D-NO	11	BLK	NOT USED

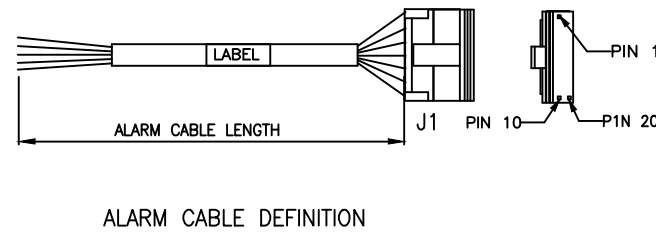
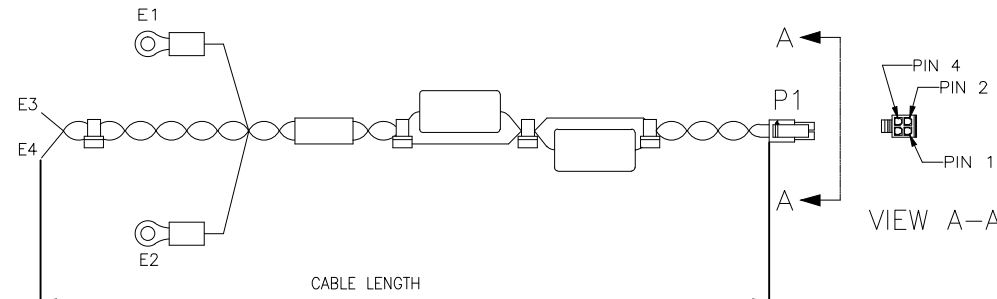


TABLE 5H POWER SENSE CABLE			
PART NUMBER	DESCRIPTION	LENGTH (FOOT)	NOTE
290933	POWER SENSE CABLE XC, 100FT	100	



WIRE TABLE			
FROM	TO	FUNCTION	COLOR
P1-1	E3	RSense +	RED
P1-2	E4	RSense -	YEL-BLK
P1-3	E1	VIN +	RED
P1-4	E2	SEC GND	YEL-BLK

TABLE 5G PERIPHERAL MONITOR CAN CABLES (RJ12 CABLE)			
PART NUMBER	DESCRIPTION	LENGTH (FOOT)	NOTE
CA210042996	PERIPHERAL MONITOR CAN CABLE 10'	10	
CA210042997	PERIPHERAL MONITOR CAN CABLE 50'	50	
CA210042998	PERIPHERAL MONITOR CAN CABLE 100'	100	
CA210042999	PERIPHERAL MONITOR CAN CABLE 200'	200	

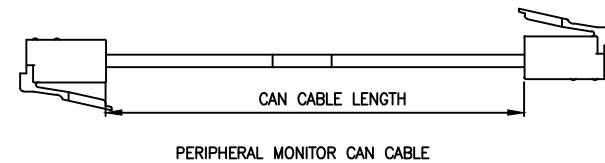
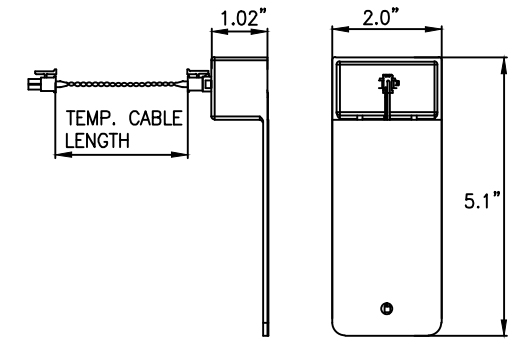
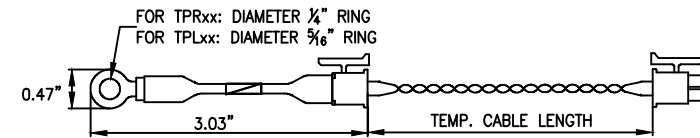


TABLE 5J THERMAL PROBE CABLES			
PART NUMBER	DESCRIPTION	LENGTH (FOOT)	NOTE
TPP10	THERMAL PROBE KIT - PADDLE, 10 FT.	10	
TPP20	THERMAL PROBE KIT - PADDLE, 20 FT.	20	
TPP50	THERMAL PROBE KIT - PADDLE, 50FT.	50	
TPR10	THERMAL PROBE KIT-RING TERM 1/4", 10 FT.	10	
TPR20	THERMAL PROBE KIT-RING TERM 1/4", 20 FT.	20	
TPR30	THERMAL PROBE KIT-RING TERM 1/4", 30 FT.	30	
TPR50	THERMAL PROBE KIT-RING TERM 1/4", 50 FT.	50	
TPR100	THERMAL PROBE KIT-RING TERM 1/4", 100 FT.	100	
TPL10	THERMAL PROBE KIT-RING TERM 5/16", 10 FT.	10	
TPL20	THERMAL PROBE KIT-RING TERM 5/16", 20 FT.	20	
TPL50	THERMAL PROBE KIT-RING TERM 5/16", 50 FT.	50	



TPPxx THERMAL PROBE DETAIL



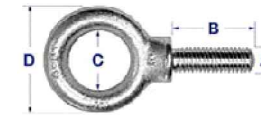
TPRxx/TPLxx THERMAL PROBE DETAIL

ELTEK VALERE CONFIDENTIAL & PROPRIETARY - USE PURSUANT TO COMPANY INSTRUCTION
UNLESS OTHERWISE SPECIFIED, ALL DIMENSIONS ARE IN INCHES
UNLESS OTHERWISE SPECIFIED, ALL LINEAR DIMENSIONAL TOLERANCES ARE ±.015

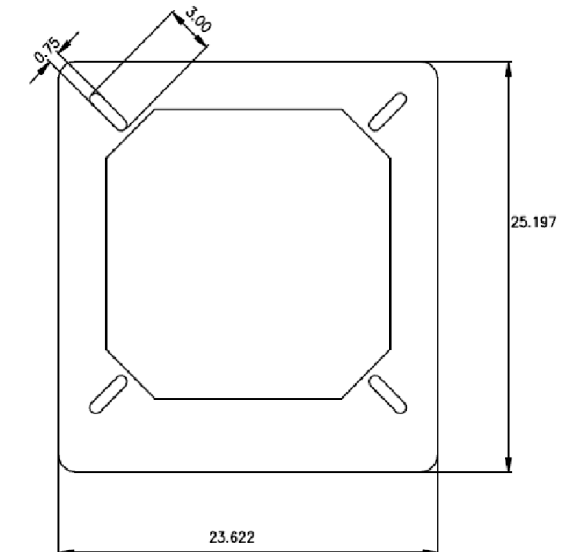
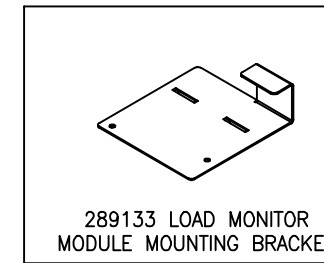
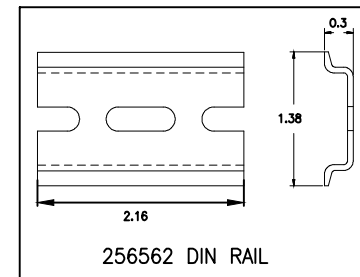
DESCRIPTION OF CHANGE PER ECO NO.		
NEW DRAWING RELEASE		
ENGINEER Franky Huang	ENG. 06-14-13	ELTEK always on
DRAFTER FMH	DRAWN	
APPROVED	IFS	CAD AUTOCAD
ASSEMBLY DRAWING SCALABLE RECTIFIER BAY PRODUCT GUIDE XC CONTROLLER ACCESSORIES		
DRAWING ISSUE DATE		
SECTION 5.1-CONTINUED		
DRAWING NUMBER 2110965		

SECTION 5.2 SYSTEM ACCESSORIES

TABLE 5K SYSTEM ACCESSORIES SELECT IF NECESSARY		
PART NUMBER	DESCRIPTION	NOTE
210436	1/2 LIFTING EYE BOLT	EVERY BAY HAS 4 POSITIONS OF EYE BOLT
215831	FLOOR INSULATOR FOR POWERPACK RECTIFIER BAY	
287846	RECTIFIER BAY REAR AIR BAFFLE KIT	THE DISTANCE BETWEEN BAFFLE AND RECTIFIER BAY REAR COVER IS 4.0"
311452	RECTIFIER BAY LEXAN REAR BAFFLE KIT	
00067400	FLOOR ANCHOR, HILTI, HSL-3-B M12/25, CONTAINS QTY 2 ANCHOR BOLTS	
256562	1.38" x 0.3" DIN RAIL, SLOTTED, 2.13" WIDE	
289133	MOUNTING BRACKET FOR LOAD MONITOR MODULE (242100.301)	
TY000000206	3" VELCRO HOOK LOOP	
SW50	SQUARE WASHER, 1/2" BOLT SIZE	
335397	TOUCHUP PAINT, KONE GRAY, 12OZ, CAN SPRAY	



- EYE BOLT DETAIL:**
 • A DIMENSION: 1/2"-13
 • B DIMENSION: 1"
 • C DIMENSION: 1-3/16"
 • D DIMENSION: 2-1/16"



215831 INSULATOR FOR RECTIFIER BAY DETAIL

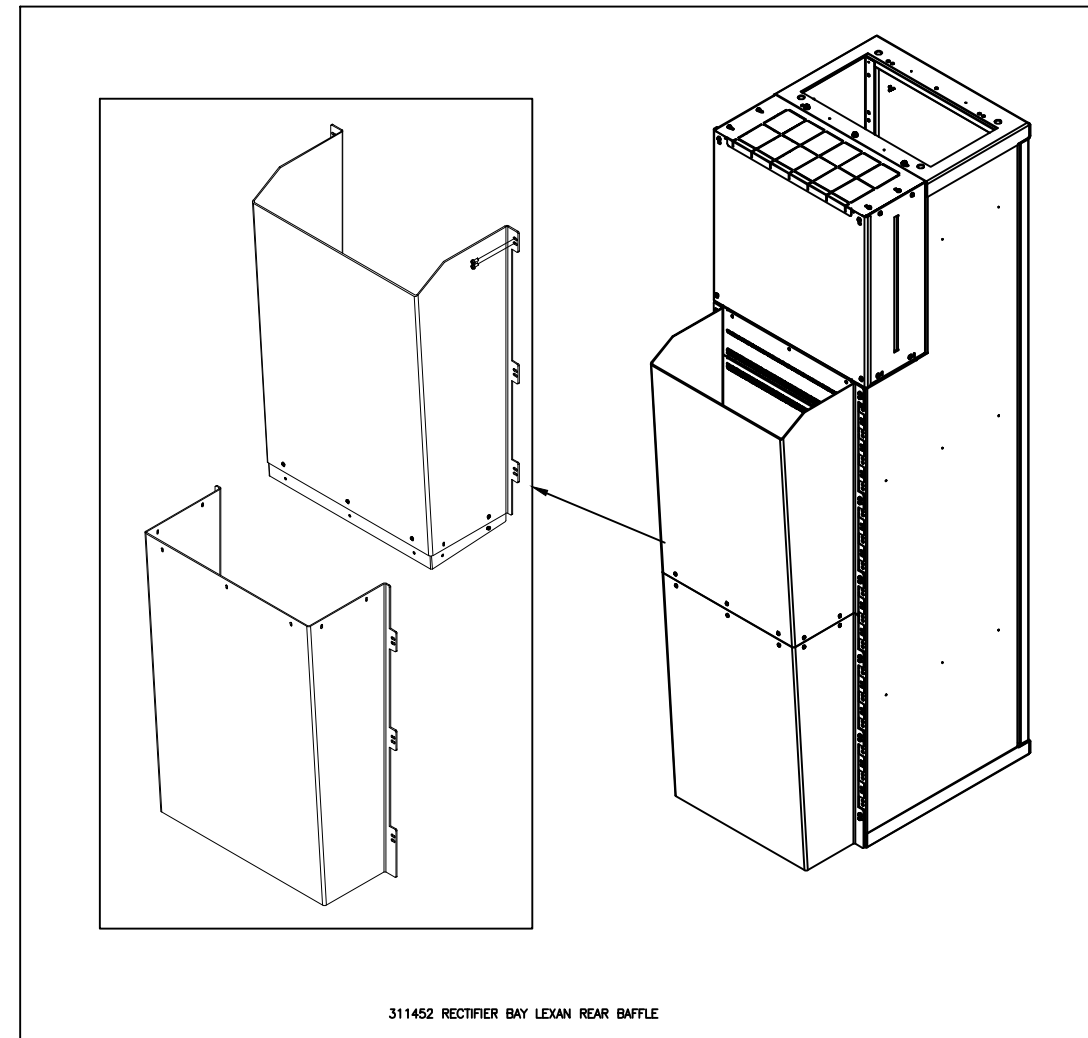
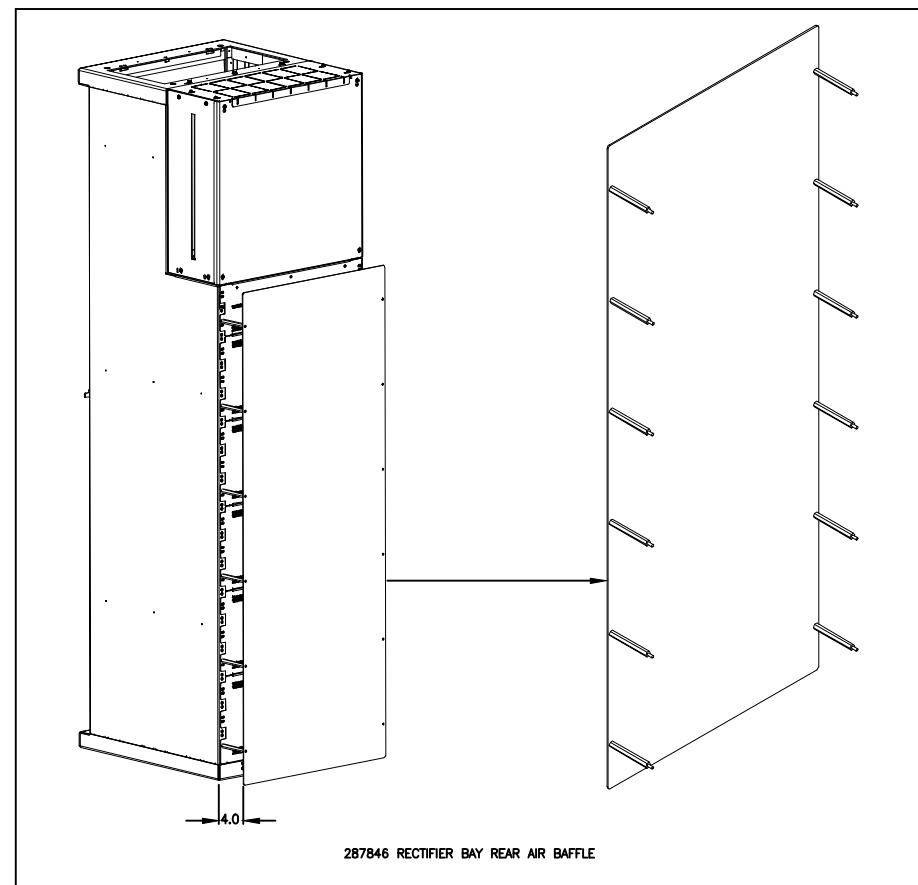


TABLE 5L TORQUE REQUIREMENTS		
SCREW OR NUT SIZE	TORQUE IN (IN LBS)	TORQUE IN (FT LBS)
4-40	3.9-4.7	--
6-32	7.6-9	--
8-32	15-18	--
10-32	21-31.2	--
12-24	36-42	--
1/4"-20	--	4.25-11
5/16"-18	--	8.33-21
3/8"-16	--	15-38
1/2"-13	--	41.6-85
5/8"-11	--	71-175

ELTEK VALERE CONFIDENTIAL & PROPRIETARY - USE PURSUANT TO COMPANY INSTRUCTION
 UNLESS OTHERWISE SPECIFIED, ALL DIMENSIONS ARE IN INCHES
 UNLESS OTHERWISE SPECIFIED, ALL LINEAR DIMENSIONAL TOLERANCES ARE ±.015

DESCRIPTION OF CHANGE PER ECO NO.
 NEW DRAWING RELEASE

ENGINEER Franky Huang	ENG. 10-06-14
DRAFTER FMH	DRAWN



APPROVED	IFS	CAD AUTOCAD
ASSEMBLY DRAWING		
SCALABLE RECTIFIER BAY PRODUCT GUIDE		
SYSTEM ACCESSORIES		
DRAWING ISSUE DATE		
SECTION 5.2		
DRAWING NUMBER 2110965		

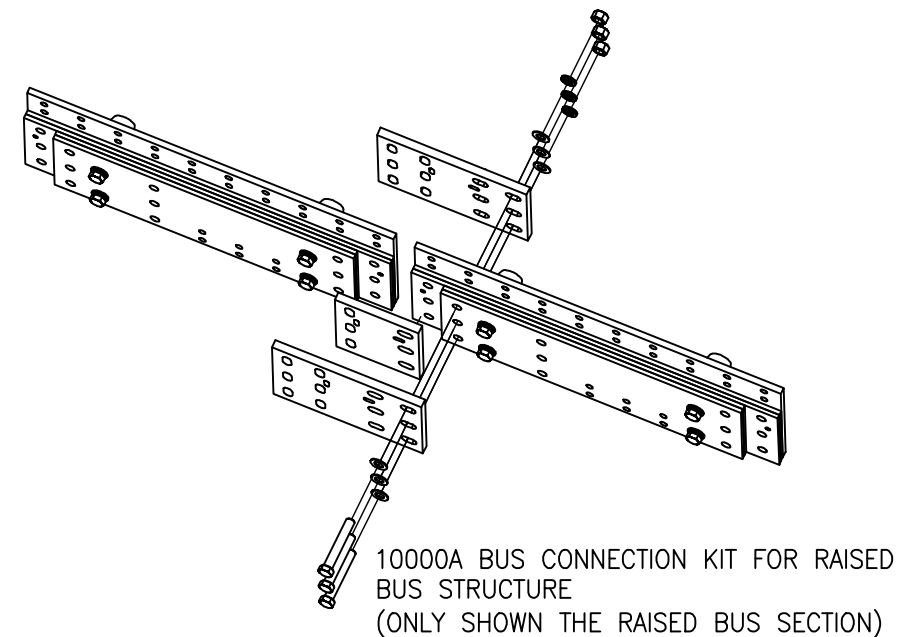
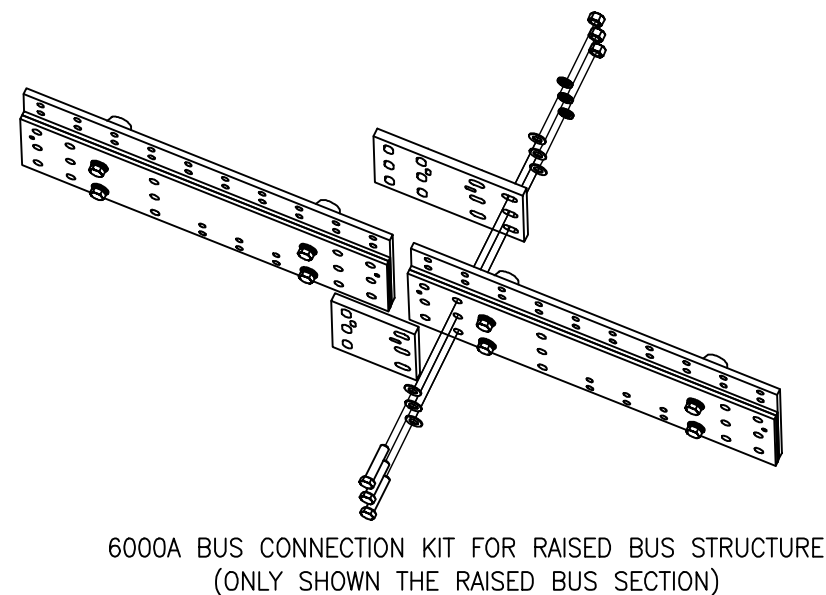
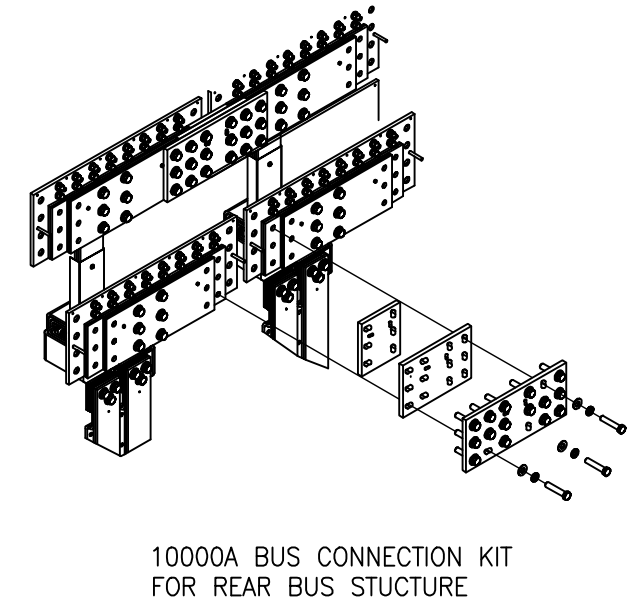
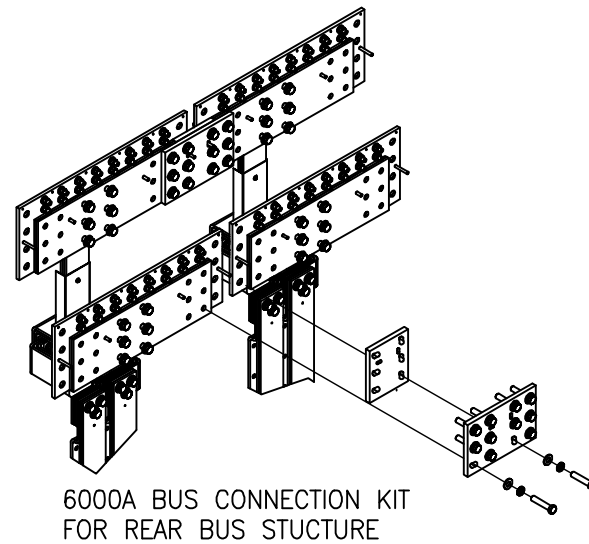
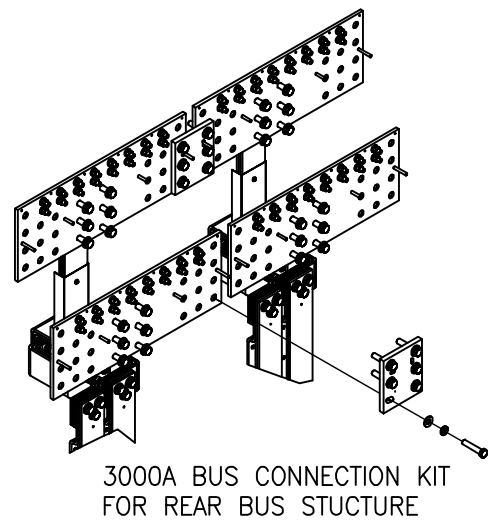
SECTION 6.0 DISTRIBUTION BAY AND RECTIFIER BAY INTERCONNECTION BUSBAR KITS

TABLE 6A DISTRIBUTION, SHELF INTERCONNECTION BUSBAR KITS, FOR REFERENCE

PART NUMBER	DESCRIPTION	CAPACITY (A)	REAR BUS STYLE	CONNECTION BETWEEN	APPLICABLE REAR BUS STRUCTURE	NOTE
252649	SPS BUS LINK 3KA, QTY 2 (ONE PER POLARITY), 3KA BUS LINKS WITH HARDWARE, FOR REAR BUS STRUCTURE	3,000	REAR	R - R R - D D - D	B1	
252650	SPS BUS LINK 6KA, QTY 2 (ONE PER POLARITY), 6KA BUS LINKS WITH HARDWARE, FOR REAR BUS STRUCTURE	6,000	REAR	R - R R - D D - D	B2	
252651	SPS BUS LINK 10KA, QTY 2 (ONE PER POLARITY), 10KA BUS LINKS WITH HARDWARE, FOR REAR BUS STRUCTURE	10,000	REAR	R - R R - D D - D	B3	
293951	3KA RECTIFIER BAY TO RECTIFIER BAY RAISED BUS LINK KIT, QTY 3 (TWO FOR HOT, ONE FOR RETURN), FOR RAISED BUS STRUCTURE	3,000	RAISED	R - R	B4	
293952	3KA RECTIFIER BAY TO DISTRIBUTION BAY OR DISTRIBUTION BAY TO DISTRIBUTION BAY RAISED BUS LINK KIT, QTY 2 (ONE PER POLARITY), FOR RAISED BUS STRUCTURE	3,000	RAISED	R - D D - D	B4	
284215	6KA RECTIFIER BAY TO RECTIFIER BAY RAISED BUS LINK KIT, QTY 3 (TWO FOR HOT, ONE FOR RETURN), FOR RAISED BUS STRUCTURE	6,000	RAISED	R - R	B5	
284216	6KA RECTIFIER BAY TO DISTRIBUTION BAY OR DISTRIBUTION BAY TO DISTRIBUTION BAY RAISED BUS LINK KIT, QTY 2 (ONE PER POLARITY), FOR RAISED BUS STRUCTURE	6,000	RAISED	R - D D - D	B5	
284217	10KA RECTIFIER BAY TO RECTIFIER BAY RAISED BUS LINK KIT, QTY 3 (TWO FOR HOT, ONE FOR RETURN), FOR RAISED BUS STRUCTURE	10,000	RAISED	R - R	B6	
284218	10KA RECTIFIER BAY TO DISTRIBUTION BAY OR DISTRIBUTION BAY TO DISTRIBUTION BAY RAISED BUS LINK KIT, QTY 2 (ONE PER POLARITY), FOR RAISED BUS STRUCTURE	10,000	RAISED	R - D D - D	B6	

NOTE:

1. INTERCONNECTION BUSBAR LINKS ARE NOT REQUIRED IF THE SYSTEM IS CONNECTED TO THE EXTERNAL OVERHEAD BUS.
2. R STANDS FOR RECTIFIER BAY, D STANDS FOR DISTRIBUTION BAY



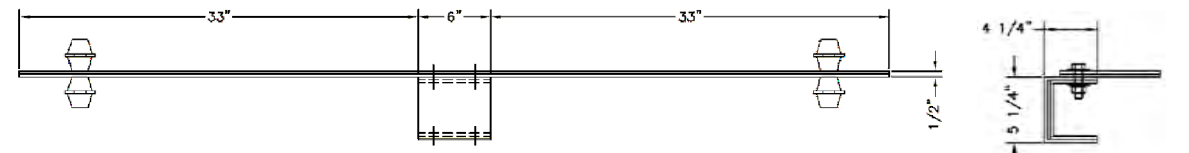
ELTEK VALERE CONFIDENTIAL & PROPRIETARY – USE PURSUANT TO COMPANY INSTRUCTION
UNLESS OTHERWISE SPECIFIED, ALL DIMENSIONS ARE IN INCHES
UNLESS OTHERWISE SPECIFIED, ALL LINEAR DIMENSIONAL TOLERANCES ARE ±.015

DESCRIPTION OF CHANGE PER ECO NO. NEW DRAWING RELEASE		
ENGINEER Franky Huang	ENG. 06-14-13	ELTEK always on
DRAFTER FMH	DRAWN	
APPROVED	IFS	CAD AUTOCAD
ASSEMBLY DRAWING SCALABLE RECTIFIER BAY PRODUCT GUIDE INTERCONNECTION BUS KIT		
DRAWING ISSUE DATE		
SECTION 6.0		
DRAWING NUMBER 2110965		

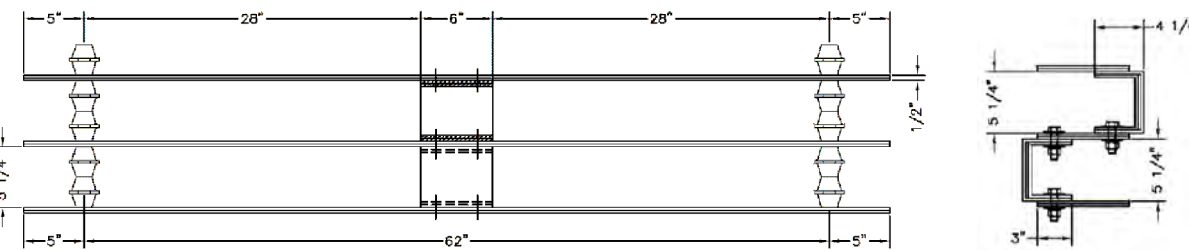
SECTION 6.1 EXTERNAL GROUND BUS KITS

TABLE 6B EXTERNAL GROUND BUS KITS

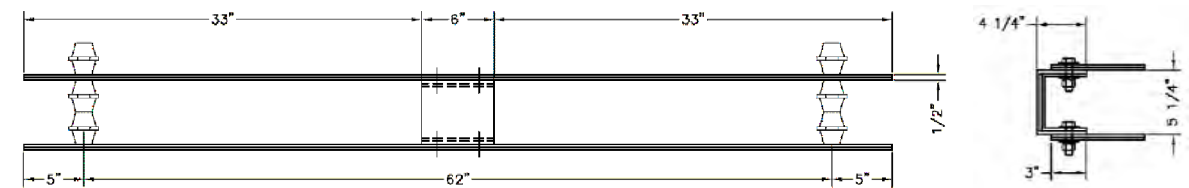
PART NUMBER	DESCRIPTION	CAPACITY (A)	TIERS	BUSBAR THICKNESS (IN)	LANDING	NOTE
280012	3000A SINGLE TIER BUS ASSEMBLY KIT –OVER HEAD COLLECTION BAR 6FT INCLUDING BUS BAR, ISOLATORS AND ASSEMBLY HARDWARE. HANGING HARDWARE NOT INCLUDED	3000	SINGLE	1/2"	QTY 60 3/8" HOLES ON BOTH 1" AND/OR 1 3/4" CTRS	
280016	6000A SINGLE TIER BUS ASSEMBLY KIT– OVER HEAD COLLECTION BAR 6FT INCLUDING BUS BAR, ISOLATORS AND ASSEMBLY HARDWARE. HANGING HARDWARE NOT INCLUDED	6000	SINGLE	1"	QTY 60 3/8" HOLES ON BOTH 1" AND/OR 1 3/4" CTRS	
280017	10,000A SINGLE TIER BUS ASSEMBLY KIT –OVER HEAD COLLECTION BAR 6FT INCLUDING BUS BAR, ISOLATORS AND ASSEMBLY HARDWARE. HANGING HARDWARE NOT INCLUDED	10000	SINGLE	2"	QTY 60 3/8" HOLES ON BOTH 1" AND/OR 1 3/4" CTRS	
280013	6000A TWO TIER BUS ASSEMBLY KIT–OVER HEAD COLLECTION BAR 6FT INCLUDING BUS BARS, INTERCONNECTION BUS LINKS, ISOLATORS AND ASSEMBLY HARDWARE. HANGING HARDWARE NOT INCLUDED	6000	TWO	1/2"	QTY 60 3/8" HOLES ON BOTH 1" AND/OR 1 3/4" CTRS	
280014	10,000A THREE TIER BUS ASSEMBLY KIT – OVER HEAD COLLECTION BAR 6FT INCLUDING BUS BAR, INTERCONNECTION BUS LINKS, ISOLATORS AND ASSEMBLY HARDWARE. HANGING HARDWARE NOT INCLUDED	10000	THREE	1/2"	QTY 60 3/8" HOLES ON BOTH 1" AND/OR 1 3/4" CTRS	
280015	3000A SINGLE TIER BUS ASSEMBLY KIT – ADDITION OVER HEAD COLLECTION BAR 6FT INCLUDING BUS BAR, INTERCONNECTION BUS LINKS, ISOLATORS AND ASSEMBLY HARDWARE. HANGING HARDWARE NOT INCLUDED	3000	GROWTH SINGLE	1/2"	QTY 60 3/8" HOLES ON BOTH 1" AND/OR 1 3/4" CTRS	FOR GROWTH
281846	3000A, SINGLE TIER BUS ASSEMBLY KIT –OVER HEAD COLLECTION BAR 6FT INCLUDING BUS BAR, ISOLATORS AND ASSEMBLY HARDWARE. HANGING HARDWARE NOT INCLUDED	3000	SINGLE	1/2"	QTY 20 3/8" HOLES ON BOTH 1" AND/OR 1 3/4" CTRS QTY 20 DEDICATED 3/8" X1" CTRS HOLES QTY 88 1/4" HOLES ON 5/8" CTRS	
280018	LUG ADAPTER BUS DETAIL KIT–PROVIDES 5-1/4" ON 5/8" CTRS FOR EXISTING OVER HEAD COLLECTION BAR	800	N/A	1/4"	QTY 5 1/4" HOLES ON 5/8" CTRS	



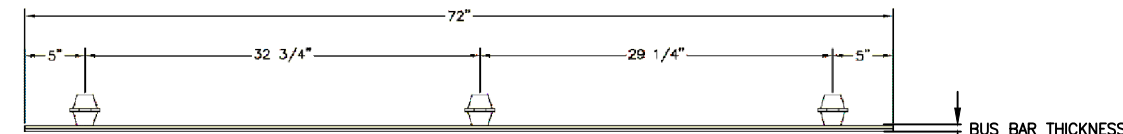
280015 FRONT VIEW (GROWTH TIER)



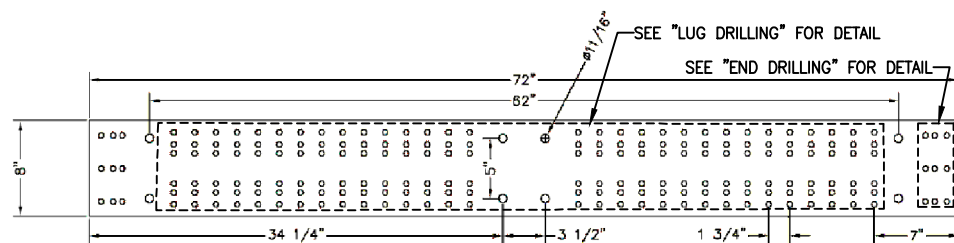
280014 FRONT VIEW (3 TIER BUS, 10000A)



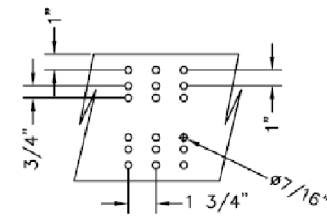
280013 FRONT VIEW (2 TIER BUS, 6000A)



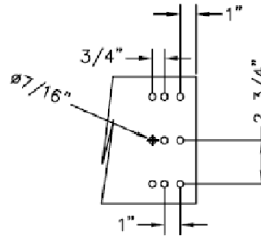
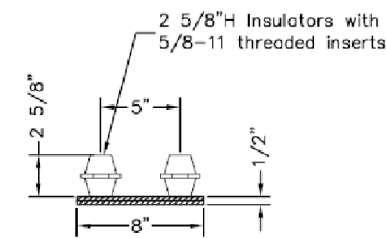
280012, 280016, 280017 FRONT VIEW (SINGLE TIER)



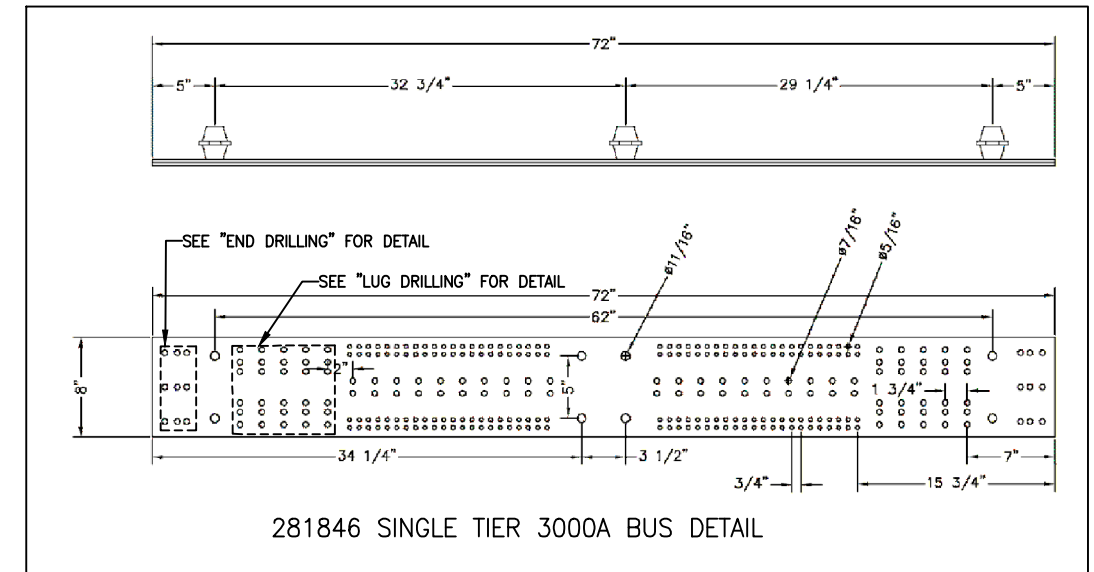
280012, 280016, 280017, 280013, 280014, 280015 BOTTOM VIEW



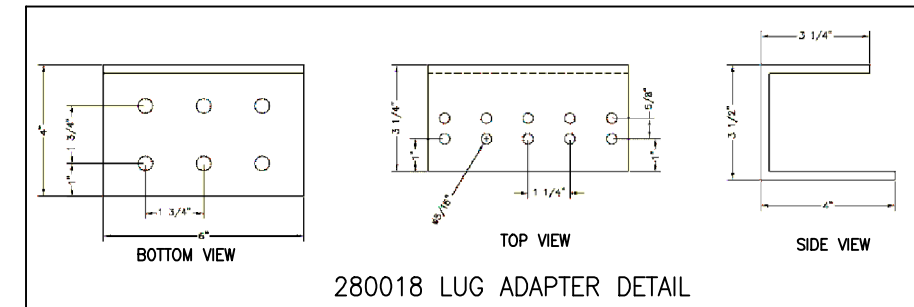
Lug Drilling



End Drilling
Typical each end



281846 SINGLE TIER 3000A BUS DETAIL



280018 LUG ADAPTER DETAIL

ELTEK VALERE CONFIDENTIAL & PROPRIETARY – USE PURSUANT TO COMPANY INSTRUCTION
UNLESS OTHERWISE SPECIFIED, ALL DIMENSIONS ARE IN INCHES
UNLESS OTHERWISE SPECIFIED, ALL LINEAR DIMENSIONAL TOLERANCES ARE ±.015

DESCRIPTION OF CHANGE PER ECO NO.
NEW DRAWING RELEASE

ENGINEER Franky Huang	ENG. 06-14-13
DRAFTER FMH	DRAWN

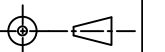


APPROVED	IFS	CAD AUTOCAD
		ASSEMBLY DRAWING
		SCALABLE RECTIFIER BAY PRODUCT GUIDE
		EXTERNAL GROUND BUS KIT
		DRAWING ISSUE DATE
		SECTION 6.1
		DRAWING NUMBER 2110965

SECTION 7.0 CUSTOMER REFERENCE DOCUMENTS

TABLE 7 CUSTOMER REFERENCE DOCUMENTS			
NO.	DOCUMENT NO.	DOCUMENT DESCRIPTION	NOTE
1	2100952	QUICK START GUIDE – SCALABLE GEN3 CO	
2	2075837	SCALABLE GEN3 SYSTEMS FLYER	
3	2050732	SCALABLE POWERPACK RECTIFIER BAY FLYER	
4	2056284	I/O MANUAL – SCALABLE GEN3 CO	
5	350020.013	USER GUIDE SMARTPACK2 MASTER CONTROLLER	
6	2119266	SCALABLE SYSTEMS DATASHEET (GEN4+)	
6	351506.033	INSTALLATION GUIDE LOAD MONITOR, CAN BUS NODE	
7	351509.033	USER GUIDE I/O MONITOR2 CAN NODE	
8	351507.033	INSTALLATION GUIDE BATTERY MONITOR, CAN BUS NODE	
9	2040634	XC2100 GUI MANUAL	
10	2040835	XC2100 DISPLAY MANUAL	
11	2038771	INSTALLATION GUIDE PERIPHERAL MONITOR PM80800	
12	2040334	PM86000 INSTALLATION GUIDE	
13	2113503	SCALABLE DISTRIBUTION BAY PRODUCT GUIDE	
14	2110965	SCALABLE RECTIFIER BAY PRODUCT GUIDE	
15	2114073	I/O MANUAL – SCALABLE CO POWER SYSTEM (W SMARTPACK2)	
16	350025.013	UGDE SMARTPACK2 BASIC INDUSTRIAL CONTROLLER	
17	370035.013	USER GUIDE – ELTEK CONTROLLER (SMARTPACK 2, SMARTPACK S, COMPACK) WEB INTERFACE	

NOTE: THE ABOVE DOCUMENTS ARE AVAILABLE ONLINE WWW.ELTEK.SHAREFILE.COM



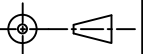
ELTEK VALERE CONFIDENTIAL & PROPRIETARY – USE PURSUANT TO COMPANY INSTRUCTION
UNLESS OTHERWISE SPECIFIED, ALL DIMENSIONS ARE IN INCHES
UNLESS OTHERWISE SPECIFIED, ALL LINEAR DIMENSIONAL TOLERANCES ARE ±.015

DESCRIPTION OF CHANGE PER ECO NO.		
NEW DRAWING RELEASE		
ENGINEER Franky Huang	ENG. 06-14-13	
DRAFTER FMH	DRAWN	
APPROVED	IFS	CAD AUTOCAD
ASSEMBLY DRAWING SCALABLE RECTIFIER BAY PRODUCT GUIDE CUSTOMER REFERENCE		
DRAWING ISSUE DATE		
SECTION 7.0		
DRAWING NUMBER 2110965		

SECTION 8.0 SMARTPACK2 COMPATIBLE RECTIFIER BAYS

TABLE 8A 208VAC INPUT RECTIFIER BAYS

DESCRIPTION	PART NUMBER	RECTIFIER BAY TYPE	INPUT TYPE	INPUT QTY	REAR BUS STRUCTURE	REAR BUS CAPACITY (A)	NOTE
SPS-C1-S1-B1	291865	PRIMARY	COMPRESSION TERMINAL	15 (INDIVIDUAL)	UN-RAISED	3000	
SPS-C1-S1-B2	291866	PRIMARY	COMPRESSION TERMINAL	15 (INDIVIDUAL)	UN-RAISED	6000	
SPS-C1-S1-B3	291867	PRIMARY	COMPRESSION TERMINAL	15 (INDIVIDUAL)	UN-RAISED	10000	
SPS-C1-S1-B4	292119	PRIMARY	COMPRESSION TERMINAL	15 (INDIVIDUAL)	RAISED	3000	
SPS-C1-S1-B5	291914	PRIMARY	COMPRESSION TERMINAL	15 (INDIVIDUAL)	RAISED	6000	
SPS-C1-S1-B6	291869	PRIMARY	COMPRESSION TERMINAL	15 (INDIVIDUAL)	RAISED	10000	
SPS-C1-S2-B1	291870	PRIMARY	COMPRESSION TERMINAL	8 (DUAL)	UN-RAISED	3000	
SPS-C1-S2-B2	291871	PRIMARY	COMPRESSION TERMINAL	8 (DUAL)	UN-RAISED	6000	
SPS-C1-S2-B3	291874	PRIMARY	COMPRESSION TERMINAL	8 (DUAL)	UN-RAISED	10000	
SPS-C1-S2-B4	292112	PRIMARY	COMPRESSION TERMINAL	8 (DUAL)	RAISED	3000	
SPS-C1-S2-B5	291875	PRIMARY	COMPRESSION TERMINAL	8 (DUAL)	RAISED	6000	
SPS-C1-S2-B6	291877	PRIMARY	COMPRESSION TERMINAL	8 (DUAL)	RAISED	10000	
SPS-C1-S3-B1	289941	PRIMARY	SINGLE HOLE LUG	15 (INDIVIDUAL)	UN-RAISED	3000	
SPS-C1-S3-B2	290096	PRIMARY	SINGLE HOLE LUG	15 (INDIVIDUAL)	UN-RAISED	6000	
SPS-C1-S3-B3	290097	PRIMARY	SINGLE HOLE LUG	15 (INDIVIDUAL)	UN-RAISED	10000	
SPS-C1-S3-B4	292125	PRIMARY	SINGLE HOLE LUG	15 (INDIVIDUAL)	RAISED	3000	
SPS-C1-S3-B5	296199	PRIMARY	SINGLE HOLE LUG	15 (INDIVIDUAL)	RAISED	6000	
SPS-C1-S3-B6	290119	PRIMARY	SINGLE HOLE LUG	15 (INDIVIDUAL)	RAISED	10000	
SPS-C1-S4-B1	290106	PRIMARY	TWO HOLE LUG WITH AC BREAKERS	4 (3 RECTIFIERS PER FEED)	UN-RAISED	3000	
SPS-C1-S4-B2	290107	PRIMARY	TWO HOLE LUG WITH AC BREAKERS	4 (3 RECTIFIERS PER FEED)	UN-RAISED	6000	
SPS-C1-S4-B3	290108	PRIMARY	TWO HOLE LUG WITH AC BREAKERS	4 (3 RECTIFIERS PER FEED)	UN-RAISED	10000	
SPS-C1-S4-B4	292127	PRIMARY	TWO HOLE LUG WITH AC BREAKERS	4 (3 RECTIFIERS PER FEED)	RAISED	3000	
SPS-C1-S4-B5	290121	PRIMARY	TWO HOLE LUG WITH AC BREAKERS	4 (3 RECTIFIERS PER FEED)	RAISED	6000	
SPS-C1-S4-B6	310459	PRIMARY	TWO HOLE LUG WITH AC BREAKERS	4 (3 RECTIFIERS PER FEED)	RAISED	10000	
SPS-C3-S1-B1	291879	EXPANSION	COMPRESSION TERMINAL	15 (INDIVIDUAL)	UN-RAISED	3000	
SPS-C3-S1-B2	291884	EXPANSION	COMPRESSION TERMINAL	15 (INDIVIDUAL)	UN-RAISED	6000	
SPS-C3-S1-B3	291886	EXPANSION	COMPRESSION TERMINAL	15 (INDIVIDUAL)	UN-RAISED	10000	
SPS-C3-S1-B4	292115	EXPANSION	COMPRESSION TERMINAL	15 (INDIVIDUAL)	RAISED	3000	
SPS-C3-S1-B5	291896	EXPANSION	COMPRESSION TERMINAL	15 (INDIVIDUAL)	RAISED	6000	
SPS-C3-S1-B6	291897	EXPANSION	COMPRESSION TERMINAL	15 (INDIVIDUAL)	RAISED	10000	
SPS-C3-S2-B1	291899	EXPANSION	COMPRESSION TERMINAL	8 (DUAL)	UN-RAISED	3000	
SPS-C3-S2-B2	291900	EXPANSION	COMPRESSION TERMINAL	8 (DUAL)	UN-RAISED	6000	
SPS-C3-S2-B3	291901	EXPANSION	COMPRESSION TERMINAL	8 (DUAL)	UN-RAISED	10000	
SPS-C3-S2-B4	292116	EXPANSION	COMPRESSION TERMINAL	8 (DUAL)	RAISED	3000	
SPS-C3-S2-B5	291902	EXPANSION	COMPRESSION TERMINAL	8 (DUAL)	RAISED	6000	
SPS-C3-S2-B6	291903	EXPANSION	COMPRESSION TERMINAL	8 (DUAL)	RAISED	10000	
SPS-C3-S3-B1	289942	EXPANSION	SINGLE HOLE LUG	15 (INDIVIDUAL)	UN-RAISED	3000	
SPS-C3-S3-B2	290098	EXPANSION	SINGLE HOLE LUG	15 (INDIVIDUAL)	UN-RAISED	6000	
SPS-C3-S3-B3	290099	EXPANSION	SINGLE HOLE LUG	15 (INDIVIDUAL)	UN-RAISED	10000	
SPS-C3-S3-B4	292266	EXPANSION	SINGLE HOLE LUG	15 (INDIVIDUAL)	RAISED	3000	
SPS-C3-S3-B5	290118	EXPANSION	SINGLE HOLE LUG	15 (INDIVIDUAL)	RAISED	6000	
SPS-C3-S3-B6	292120	EXPANSION	SINGLE HOLE LUG	15 (INDIVIDUAL)	RAISED	10000	
SPS-C3-S4-B1	290109	EXPANSION	TWO HOLE LUG WITH AC BREAKERS	4 (3 RECTIFIERS PER FEED)	UN-RAISED	3000	
SPS-C3-S4-B2	290110	EXPANSION	TWO HOLE LUG WITH AC BREAKERS	4 (3 RECTIFIERS PER FEED)	UN-RAISED	6000	
SPS-C3-S4-B3	290111	EXPANSION	TWO HOLE LUG WITH AC BREAKERS	4 (3 RECTIFIERS PER FEED)	UN-RAISED	10000	
SPS-C3-S4-B4	292267	EXPANSION	TWO HOLE LUG WITH AC BREAKERS	4 (3 RECTIFIERS PER FEED)	RAISED	3000	
SPS-C3-S4-B5	292126	EXPANSION	TWO HOLE LUG WITH AC BREAKERS	4 (3 RECTIFIERS PER FEED)	RAISED	6000	
SPS-C3-S4-B6	290120	EXPANSION	TWO HOLE LUG WITH AC BREAKERS	4 (3 RECTIFIERS PER FEED)	RAISED	10000	



ELTEK VALERE CONFIDENTIAL & PROPRIETARY - USE PURSUANT TO COMPANY INSTRUCTION
UNLESS OTHERWISE SPECIFIED, ALL DIMENSIONS ARE IN INCHES
UNLESS OTHERWISE SPECIFIED, ALL LINEAR DIMENSIONAL TOLERANCES ARE ±.015

DESCRIPTION OF CHANGE PER ECO NO. NEW DRAWING RELEASE		
ENGINEER Franky Huang	ENG. 06-14-13	
DRAFTER FMH	DRAWN	
APPROVED	IFS	CAD AUTOCAD
ASSEMBLY DRAWING SCALABLE RECTIFIER BAY PRODUCT GUIDE RECTIFIER BAY SUMMARY-SMARTPACK2		
DRAWING ISSUE DATE		
SECTION 8.0		
DRAWING NUMBER 2110965		

SECTION 8.0-CONTINUED SMARTPACK2 COMPATIBLE RECTIFIER BAYS


TABLE 8B 480VAC INPUT RECTIFIER BAYS

DESCRIPTION	PART NUMBER	RECTIFIER BAY TYPE	INPUT TYPE	INPUT QTY	REAR BUS STRUCTURE	REAR BUS CAPACITY (A)	NOTE
SPS-C1-S5-B1	291881	PRIMARY	COMPRESSION TERMINAL	15 (INDIVIDUAL)	UN-RAISED	3000	
SPS-C1-S5-B2	291885	PRIMARY	COMPRESSION TERMINAL	15 (INDIVIDUAL)	UN-RAISED	6000	
SPS-C1-S5-B3	291888	PRIMARY	COMPRESSION TERMINAL	15 (INDIVIDUAL)	UN-RAISED	10000	
SPS-C1-S5-B4	292113	PRIMARY	COMPRESSION TERMINAL	15 (INDIVIDUAL)	RAISED	3000	
SPS-C1-S5-B5	291889	PRIMARY	COMPRESSION TERMINAL	15 (INDIVIDUAL)	RAISED	6000	
SPS-C1-S5-B6	291890	PRIMARY	COMPRESSION TERMINAL	15 (INDIVIDUAL)	RAISED	10000	
SPS-C1-S6-B1	291891	PRIMARY	COMPRESSION TERMINAL	8 (DUAL)	UN-RAISED	3000	
SPS-C1-S6-B2	291892	PRIMARY	COMPRESSION TERMINAL	8 (DUAL)	UN-RAISED	6000	
SPS-C1-S6-B3	291893	PRIMARY	COMPRESSION TERMINAL	8 (DUAL)	UN-RAISED	10000	
SPS-C1-S6-B4	292114	PRIMARY	COMPRESSION TERMINAL	8 (DUAL)	RAISED	3000	
SPS-C1-S6-B5	291894	PRIMARY	COMPRESSION TERMINAL	8 (DUAL)	RAISED	6000	
SPS-C1-S6-B6	291895	PRIMARY	COMPRESSION TERMINAL	8 (DUAL)	RAISED	10000	
SPS-C1-S7-B1	290100	PRIMARY	SINGLE HOLE LUG	15 (INDIVIDUAL)	UN-RAISED	3000	
SPS-C1-S7-B2	290101	PRIMARY	SINGLE HOLE LUG	15 (INDIVIDUAL)	UN-RAISED	6000	
SPS-C1-S7-B3	290102	PRIMARY	SINGLE HOLE LUG	15 (INDIVIDUAL)	UN-RAISED	10000	
SPS-C1-S7-B4	292121	PRIMARY	SINGLE HOLE LUG	15 (INDIVIDUAL)	RAISED	3000	
SPS-C1-S7-B5	292122	PRIMARY	SINGLE HOLE LUG	15 (INDIVIDUAL)	RAISED	6000	
SPS-C1-S7-B6	292128	PRIMARY	SINGLE HOLE LUG	15 (INDIVIDUAL)	RAISED	10000	
SPS-C1-S8-B1	290112	PRIMARY	TWO HOLE LUG WITH AC BREAKERS	2 (6 RECTIFIERS PER FEED)	UN-RAISED	3000	
SPS-C1-S8-B2	290113	PRIMARY	TWO HOLE LUG WITH AC BREAKERS	2 (6 RECTIFIERS PER FEED)	UN-RAISED	6000	
SPS-C1-S8-B3	290114	PRIMARY	TWO HOLE LUG WITH AC BREAKERS	2 (6 RECTIFIERS PER FEED)	UN-RAISED	10000	
SPS-C1-S8-B4	292123	PRIMARY	TWO HOLE LUG WITH AC BREAKERS	2 (6 RECTIFIERS PER FEED)	RAISED	3000	
SPS-C1-S8-B5	290122	PRIMARY	TWO HOLE LUG WITH AC BREAKERS	2 (6 RECTIFIERS PER FEED)	RAISED	6000	
SPS-C1-S8-B6	292124	PRIMARY	TWO HOLE LUG WITH AC BREAKERS	2 (6 RECTIFIERS PER FEED)	RAISED	10000	
SPS-C1-S8A-B1	311335	PRIMARY	TWO HOLE LUG WITH AC BREAKERS	4 (3 RECTIFIERS PER FEED)	UN-RAISED	3000	
SPS-C1-S8A-B2	311536	PRIMARY	TWO HOLE LUG WITH AC BREAKERS	4 (3 RECTIFIERS PER FEED)	UN-RAISED	6000	
SPS-C1-S8A-B3	311624	PRIMARY	TWO HOLE LUG WITH AC BREAKERS	4 (3 RECTIFIERS PER FEED)	UN-RAISED	10000	
SPS-C1-S8A-B4	311337	PRIMARY	TWO HOLE LUG WITH AC BREAKERS	4 (3 RECTIFIERS PER FEED)	RAISED	3000	
SPS-C1-S8A-B5	311538	PRIMARY	TWO HOLE LUG WITH AC BREAKERS	4 (3 RECTIFIERS PER FEED)	RAISED	6000	
SPS-C1-S8A-B6	311626	PRIMARY	TWO HOLE LUG WITH AC BREAKERS	4 (3 RECTIFIERS PER FEED)	RAISED	10000	

TABLE 8B-CONTINUED 480VAC INPUT RECTIFIER BAYS

DESCRIPTION	PART NUMBER	RECTIFIER BAY TYPE	INPUT TYPE	INPUT QTY	REAR BUS STRUCTURE	REAR BUS CAPACITY (A)	NOTE
SPS-C3-S5-B1	291904	EXPANSION	COMPRESSION TERMINAL	15 (INDIVIDUAL)	UN-RAISED	3000	
SPS-C3-S5-B2	291905	EXPANSION	COMPRESSION TERMINAL	15 (INDIVIDUAL)	UN-RAISED	6000	
SPS-C3-S5-B3	291906	EXPANSION	COMPRESSION TERMINAL	15 (INDIVIDUAL)	UN-RAISED	10000	
SPS-C3-S5-B4	292117	EXPANSION	COMPRESSION TERMINAL	15 (INDIVIDUAL)	RAISED	3000	
SPS-C3-S5-B5	291907	EXPANSION	COMPRESSION TERMINAL	15 (INDIVIDUAL)	RAISED	6000	
SPS-C3-S5-B6	291908	EXPANSION	COMPRESSION TERMINAL	15 (INDIVIDUAL)	RAISED	10000	
SPS-C3-S6-B1	291909	EXPANSION	COMPRESSION TERMINAL	8 (DUAL)	UN-RAISED	3000	
SPS-C3-S6-B2	291910	EXPANSION	COMPRESSION TERMINAL	8 (DUAL)	UN-RAISED	6000	
SPS-C3-S6-B3	291911	EXPANSION	COMPRESSION TERMINAL	8 (DUAL)	UN-RAISED	10000	
SPS-C3-S6-B4	292118	EXPANSION	COMPRESSION TERMINAL	8 (DUAL)	RAISED	3000	
SPS-C3-S6-B5	291912	EXPANSION	COMPRESSION TERMINAL	8 (DUAL)	RAISED	6000	
SPS-C3-S6-B6	291913	EXPANSION	COMPRESSION TERMINAL	8 (DUAL)	RAISED	10000	
SPS-C3-S7-B1	290103	EXPANSION	SINGLE HOLE LUG	15 (INDIVIDUAL)	UN-RAISED	3000	
SPS-C3-S7-B2	290104	EXPANSION	SINGLE HOLE LUG	15 (INDIVIDUAL)	UN-RAISED	6000	
SPS-C3-S7-B3	290105	EXPANSION	SINGLE HOLE LUG	15 (INDIVIDUAL)	UN-RAISED	10000	
SPS-C3-S7-B4	292130	EXPANSION	SINGLE HOLE LUG	15 (INDIVIDUAL)	RAISED	3000	
SPS-C3-S7-B5	292129	EXPANSION	SINGLE HOLE LUG	15 (INDIVIDUAL)	RAISED	6000	
SPS-C3-S7-B6	290125	EXPANSION	SINGLE HOLE LUG	15 (INDIVIDUAL)	RAISED	10000	
SPS-C3-S8-B1	290115	EXPANSION	TWO HOLE LUG WITH AC BREAKERS	2 (6 RECTIFIERS PER FEED)	UN-RAISED	3000	
SPS-C3-S8-B2	290116	EXPANSION	TWO HOLE LUG WITH AC BREAKERS	2 (6 RECTIFIERS PER FEED)	UN-RAISED	6000	
SPS-C3-S8-B3	290117	EXPANSION	TWO HOLE LUG WITH AC BREAKERS	2 (6 RECTIFIERS PER FEED)	UN-RAISED	10000	
SPS-C3-S8-B4	292132	EXPANSION	TWO HOLE LUG WITH AC BREAKERS	2 (6 RECTIFIERS PER FEED)	RAISED	3000	
SPS-C3-S8-B5	290123	EXPANSION	TWO HOLE LUG WITH AC BREAKERS	2 (6 RECTIFIERS PER FEED)	RAISED	6000	
SPS-C3-S8-B6	292131	EXPANSION	TWO HOLE LUG WITH AC BREAKERS	2 (6 RECTIFIERS PER FEED)	RAISED	10000	
SPS-C3-S8A-B1	311336	EXPANSION	TWO HOLE LUG WITH AC BREAKERS	4 (3 RECTIFIERS PER FEED)	UN-RAISED	3000	
SPS-C3-S8A-B2	311537	EXPANSION	TWO HOLE LUG WITH AC BREAKERS	4 (3 RECTIFIERS PER FEED)	UN-RAISED	6000	
SPS-C3-S8A-B3	311625	EXPANSION	TWO HOLE LUG WITH AC BREAKERS	4 (3 RECTIFIERS PER FEED)	UN-RAISED	10000	
SPS-C3-S8A-B4	311338	EXPANSION	TWO HOLE LUG WITH AC BREAKERS	4 (3 RECTIFIERS PER FEED)	RAISED	3000	
SPS-C3-S8A-B5	311539	EXPANSION	TWO HOLE LUG WITH AC BREAKERS	4 (3 RECTIFIERS PER FEED)	RAISED	6000	
SPS-C3-S8A-B6	311627	EXPANSION	TWO HOLE LUG WITH AC BREAKERS	4 (3 RECTIFIERS PER FEED)	RAISED	10000	

ELTEK VALERE CONFIDENTIAL & PROPRIETARY - USE PURSUANT TO COMPANY INSTRUCTION
UNLESS OTHERWISE SPECIFIED, ALL DIMENSIONS ARE IN INCHES
UNLESS OTHERWISE SPECIFIED, ALL LINEAR DIMENSIONAL TOLERANCES ARE ±.015

DESCRIPTION OF CHANGE PER ECO NO. NEW DRAWING RELEASE			
ENGINEER Franky Huang	ENG. 06-14-13	DRAWN	
DRAFTER FMH			
APPROVED	IFS		CAD AUTOCAD
			ASSEMBLY DRAWING SCALABLE RECTIFIER BAY PRODUCT GUIDE RECTIFIER BAY SUMMARY-SMARTPACK2
			DRAWING ISSUE DATE
			SECTION 8.0-CONTINUED
			DRAWING NUMBER 2110965

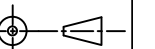
SECTION 8.1 XC CONTROLLER COMPATIBLE RECTIFIER BAYS

TABLE 8C 208VAC INPUT RECTIFIER BAYS


DESCRIPTION	PART NUMBER	RECTIFIER BAY TYPE	INPUT TYPE	INPUT QTY	REAR BUS STRUCTURE	REAR BUS CAPACITY (A)	NOTE
SPS-C2-S1-B1	262822	PRIMARY	COMPRESSION TERMINAL	15 (INDIVIDUAL)	UN-RAISED	3000	OBSOLETE IN REVISION 4
SPS-C2-S1-B2	269735	PRIMARY	COMPRESSION TERMINAL	15 (INDIVIDUAL)	UN-RAISED	6000	
SPS-C2-S1-B3	269744	PRIMARY	COMPRESSION TERMINAL	15 (INDIVIDUAL)	UN-RAISED	10000	
SPS-C2-S1-B4	292104	PRIMARY	COMPRESSION TERMINAL	15 (INDIVIDUAL)	RAISED	3000	
SPS-C2-S1-B5	292105	PRIMARY	COMPRESSION TERMINAL	15 (INDIVIDUAL)	RAISED	6000	
SPS-C2-S1-B6	273933	PRIMARY	COMPRESSION TERMINAL	15 (INDIVIDUAL)	RAISED	10000	
SPS-C2-S2-B1	262826	PRIMARY	COMPRESSION TERMINAL	8 (DUAL)	UN-RAISED	3000	
SPS-C2-S2-B2	269726	PRIMARY	COMPRESSION TERMINAL	8 (DUAL)	UN-RAISED	6000	
SPS-C2-S2-B3	269746	PRIMARY	COMPRESSION TERMINAL	8 (DUAL)	UN-RAISED	10000	
SPS-C2-S2-B4	292106	PRIMARY	COMPRESSION TERMINAL	8 (DUAL)	RAISED	3000	
SPS-C2-S2-B5	273934	PRIMARY	COMPRESSION TERMINAL	8 (DUAL)	RAISED	6000	
SPS-C2-S2-B6	273935	PRIMARY	COMPRESSION TERMINAL	8 (DUAL)	RAISED	10000	
SPS-C4-S1-B1	262823	EXPANSION	COMPRESSION TERMINAL	15 (INDIVIDUAL)	UN-RAISED	3000	
SPS-C4-S1-B2	269736	EXPANSION	COMPRESSION TERMINAL	15 (INDIVIDUAL)	UN-RAISED	6000	
SPS-C4-S1-B3	269745	EXPANSION	COMPRESSION TERMINAL	15 (INDIVIDUAL)	UN-RAISED	10000	
SPS-C4-S1-B4	292109	EXPANSION	COMPRESSION TERMINAL	15 (INDIVIDUAL)	RAISED	3000	
SPS-C4-S1-B5	274097	EXPANSION	COMPRESSION TERMINAL	15 (INDIVIDUAL)	RAISED	6000	
SPS-C4-S1-B6	274098	EXPANSION	COMPRESSION TERMINAL	15 (INDIVIDUAL)	RAISED	10000	
SPS-C4-S2-B1	262827	EXPANSION	COMPRESSION TERMINAL	8 (DUAL)	UN-RAISED	3000	
SPS-C4-S2-B2	269737	EXPANSION	COMPRESSION TERMINAL	8 (DUAL)	UN-RAISED	6000	
SPS-C4-S2-B3	269747	EXPANSION	COMPRESSION TERMINAL	8 (DUAL)	UN-RAISED	10000	
SPS-C4-S2-B4	292110	EXPANSION	COMPRESSION TERMINAL	8 (DUAL)	RAISED	3000	
SPS-C4-S2-B5	274099	EXPANSION	COMPRESSION TERMINAL	8 (DUAL)	RAISED	6000	
SPS-C4-S2-B6	274100	EXPANSION	COMPRESSION TERMINAL	8 (DUAL)	RAISED	10000	

TABLE 8D 480VAC INPUT RECTIFIER BAYS

DESCRIPTION	PART NUMBER	RECTIFIER BAY TYPE	INPUT TYPE	INPUT QTY	REAR BUS STRUCTURE	REAR BUS CAPACITY (A)	NOTE
SPS-C2-S5-B1	262830	PRIMARY	COMPRESSION TERMINAL	15 (INDIVIDUAL)	UN-RAISED	3000	OBSOLETE IN REVISION 4
SPS-C2-S5-B2	269738	PRIMARY	COMPRESSION TERMINAL	15 (INDIVIDUAL)	UN-RAISED	6000	
SPS-C2-S5-B3	269748	PRIMARY	COMPRESSION TERMINAL	15 (INDIVIDUAL)	UN-RAISED	10000	
SPS-C2-S5-B4	292107	PRIMARY	COMPRESSION TERMINAL	15 (INDIVIDUAL)	RAISED	3000	
SPS-C2-S5-B5	273936	PRIMARY	COMPRESSION TERMINAL	15 (INDIVIDUAL)	RAISED	6000	
SPS-C2-S5-B6	273937	PRIMARY	COMPRESSION TERMINAL	15 (INDIVIDUAL)	RAISED	10000	
SPS-C2-S6-B1	262834	PRIMARY	COMPRESSION TERMINAL	8 (DUAL)	UN-RAISED	3000	
SPS-C2-S6-B2	269740	PRIMARY	COMPRESSION TERMINAL	8 (DUAL)	UN-RAISED	6000	
SPS-C2-S6-B3	269750	PRIMARY	COMPRESSION TERMINAL	8 (DUAL)	UN-RAISED	10000	
SPS-C2-S6-B4	292108	PRIMARY	COMPRESSION TERMINAL	8 (DUAL)	RAISED	3000	
SPS-C2-S6-B5	273938	PRIMARY	COMPRESSION TERMINAL	8 (DUAL)	RAISED	6000	
SPS-C2-S6-B6	273939	PRIMARY	COMPRESSION TERMINAL	8 (DUAL)	RAISED	10000	
SPS-C4-S5-B1	262831	EXPANSION	COMPRESSION TERMINAL	15 (INDIVIDUAL)	UN-RAISED	3000	
SPS-C4-S5-B2	269739	EXPANSION	COMPRESSION TERMINAL	15 (INDIVIDUAL)	UN-RAISED	6000	
SPS-C4-S5-B3	269749	EXPANSION	COMPRESSION TERMINAL	15 (INDIVIDUAL)	UN-RAISED	10000	
SPS-C4-S5-B4	292102	EXPANSION	COMPRESSION TERMINAL	15 (INDIVIDUAL)	RAISED	3000	
SPS-C4-S5-B5	274101	EXPANSION	COMPRESSION TERMINAL	15 (INDIVIDUAL)	RAISED	6000	
SPS-C4-S5-B6	274102	EXPANSION	COMPRESSION TERMINAL	15 (INDIVIDUAL)	RAISED	10000	
SPS-C4-S6-B1	262835	EXPANSION	COMPRESSION TERMINAL	8 (DUAL)	UN-RAISED	3000	
SPS-C4-S6-B2	269742	EXPANSION	COMPRESSION TERMINAL	8 (DUAL)	UN-RAISED	6000	
SPS-C4-S6-B3	269751	EXPANSION	COMPRESSION TERMINAL	8 (DUAL)	UN-RAISED	10000	
SPS-C4-S6-B4	292103	EXPANSION	COMPRESSION TERMINAL	8 (DUAL)	RAISED	3000	
SPS-C4-S6-B5	274103	EXPANSION	COMPRESSION TERMINAL	8 (DUAL)	RAISED	6000	
SPS-C4-S6-B6	274104	EXPANSION	COMPRESSION TERMINAL	8 (DUAL)	RAISED	10000	



ELTEK VALERE CONFIDENTIAL & PROPRIETARY - USE PURSUANT TO COMPANY INSTRUCTION
UNLESS OTHERWISE SPECIFIED, ALL DIMENSIONS ARE IN INCHES
UNLESS OTHERWISE SPECIFIED, ALL LINEAR DIMENSIONAL TOLERANCES ARE ±.015

DESCRIPTION OF CHANGE PER ECO NO. NEW DRAWING RELEASE		
ENGINEER Franky Huang	ENG. 06-14-13	 always on
DRAFTER FMH	DRAWN	
APPROVED	IFS	CAD AUTOCAD
ASSEMBLY DRAWING SCALABLE RECTIFIER BAY PRODUCT GUIDE RECTIFIER BAY SUMMARY-XC		
DRAWING ISSUE DATE		
SECTION 8.1		
DRAWING NUMBER 2110965		