

TRU-OMNI-S727

V-Pol Omni Antenna, 698-2700MHz, Surface Mount

- True Omni Patterns
- Highest Gain Surface Mounted Antenna
- PIM Certified @ 2 X 20 Watts
- Surface Mount for Metallic Tile and Hard Surface Applications
- Includes Premium 12" Pig Tail Jumper
- Suitable for LTE/ CDMA/ UMTS/ GSM/ WLAN/ WiMax/ WCS/ and Neutral Host
- UL 2043 Certified



ELECTRICAL SPECIFICATIONS

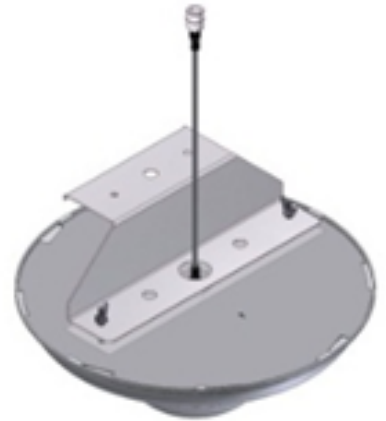
Frequency Band, MHz	698-745	746-896	897-960	1710-2180	2181-2360	2496-2700
Horizontal Beamwidth, 3dB points	360°	360°	360°	360°	360°	360°
Gain, dBi	2.9	2.9	3.1	6.4	6.9	7.3
VSWR Maximum / Return Loss, dB	1.7/11.7	1.4/15.5	1.7/11.7	1.4/15.5	1.4/15.5	1.5/14.0
Polarization	Vertical					
Intermodulation (2 X 20 W) , IM3, dBc, Maximum	-150					
Impedance, ohms	50					
Maximum Power Per Connector, CW (w)	40					

MECHANICAL SPECIFICATIONS

Dimensions, Width/Depth	12.2 / 4.6 in (311/116 mm) Overall
Connector (Quantity) Type	(1) N Female or (1) "4.3-10" female on 12" Pig Tail
Connector Location	Top
Antenna Weight	1.2 lb (0.54 kg)
Radom Material	Polypropylene
Mounting	Surface Mount in non-Metallic Ceiling Tile
Application	Indoor
Operating Temperature	-40° F to +140° F (-40° C to +60° C)

OPTIONAL CEILING MOUNT BRACKET

Optional Above Ceiling Mount Bracket 919057
 Mounting Omni-S727 Antenna to hard surfaces



ORDER INFORMATION

MODEL	DESCRIPTION
TRU-OMNI-S727	Surface Mount Omni antenna, V-Pol, 698-2700MHz with " N " Female connector 12" pigtail
TRU-OMNI-S727-F	Surface Mount Omni antenna, V-POL,698-2700MHz with "4.3-10" female connector 12" pigtail

Optional Bracket Kit

MODEL	DESCRIPTION
919057	Optional Hard Surface Mount Bracket

MECHANICAL DRAWINGS

